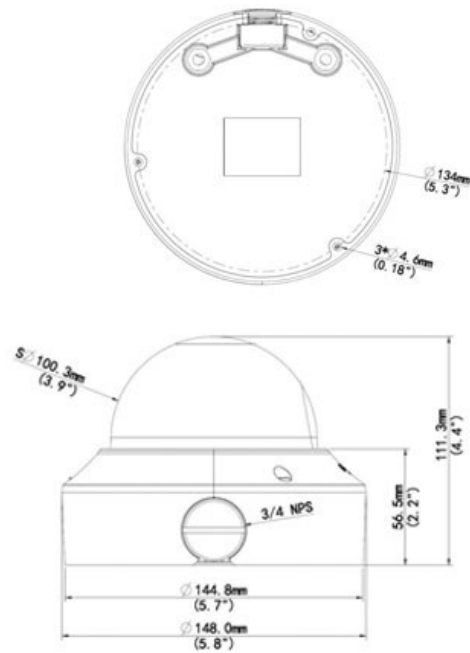


CP- VNC-V21ZR3-VMDS**2 MP Full HD WDR Array Vandal Dome Camera - 30 Mtr.****INDIGO****Main Features**

- 1/2.8" 2MP PS CMOS Image Sensor
- Max 25/30fps@1080P
- Ultra 265,H.265, H.264, MJPEG Triple-stream encoding
- Support Supper Starlight Function
- WDR(120dB), Day/Night (ICR), 3D-DNR, Corridor Mode, ROI, AWB, AGC, BLC, HLC
- 2.7~13.5mm Motorized Lens
- IR Range of 30 Mtrs, Smart IR, Micro SD, IP67, IK10, PoE
- Supports Instastream technology, save disk space and bandwidth upto 70%
- Mobile Software: Android, iOS
- CMS Software: IVMS

**Instastream****CE FC****RoHS**
COMPLIANT

CP- VNC-V21ZR3-VMDS

2 MP Full HD WDR Array Vandal Dome Camera - 30 Mtr.



Feature

Image Sensor
 Minimum Illumination
 Shutter Speed
 White Balance
 Lens
 Gain Control(AGC)
 Angle of View
 Video Compression
 S/N Ratio
 Video Streaming
 Resolution
 Video Output
 Frame Rate
 Motion detection
 Privacy Mask
 ICR
 ROI
 Audio Input
 Audio Output
 Audio Compression
 Alarm IN
 Alarm Out
 WDR
 Protocol
 Smart Detection
 General Function
 Ethernet

Specification

1/2.8" 2MP Progressive scan CMOS
 Colour: 0.0005 Lux (F1.2, AGC ON) 0Lux with IR
 Auto/Manual, 1/6~1/100000 s
 Auto/Manual
 2.7~13.5mm Motorized Lens
 Auto/Manual
 121.36° (wide) ~33.51° (tele)
 Ultra 265,H.265,H.264,MJPEG
 >52dB
 Triple
 1920 x 1080
 1 BNC, impedance 75 Ω; amplitude 1 V [p-p]
 Main Stream: 2MP (1920×1080): Max. 30 fps; Sub Stream: 2MP (1920×1080): Max. 30 fps;
 Third Stream: D1 (720×576): Max. 30 fps
 Up to 4 areas
 Up to 8 areas
 IR-cut filter with auto switch (ICR)
 Up to 8 areas
 impedance 35 kΩ; amplitude 2 V [p-p]
 impedance 600 Ω; amplitude 2 V [p-p]
 G.711
 1 channel
 1 channel
 WDR (120dB)
 IPv4, IGMP, ICMP, ARP, TCP, UDP, DHCP, PPPoE, RTP, RTSP, RTCP, DNS, DDNS, NTP, FTP,
 UPnP, HTTP, HTTPS, SMTP, 802.1x, SNMP, ONVIF (Profile S, Profile G), API
 Intrusion, crossing line, Motion detection, Audio detection, Face detection, Defocus, Scene
 Change, People counting
 Watermark, IP Address Filtering, Tampering Alarm, Alarm input, Alarm output, Access Policy,
 ARP Protection, RTSP Authentication, User Authentication
 1 RJ45 10M/100M Base-TX Ethernet



 **CP- VNC-V21ZR3-VMDS****2 MP Full HD WDR Array Vandal Dome Camera - 30 Mtr.****Feature**

IR
OSD
Micro SD
Audio
Suppression
Operating Temperature
Humidity
Power Source
Power Consumption
Weatherproof Standard
Dimension
Weight

Specification

IR Range of 30 Mtr. , Smart IR
Up to 8 OSDs
Up to 128 GB
Two-way audio Supported
Support
-40°C ~ +60°C (-40°F ~ 140°F)
10%~90% RH (non-condensing)
DC12V±25%, PoE (IEEE802.3 af)
Max.8.7w
IP67 & IK10
Φ148 x 111.3 mm (Ø5.8" x 4.4")
0.75 kg