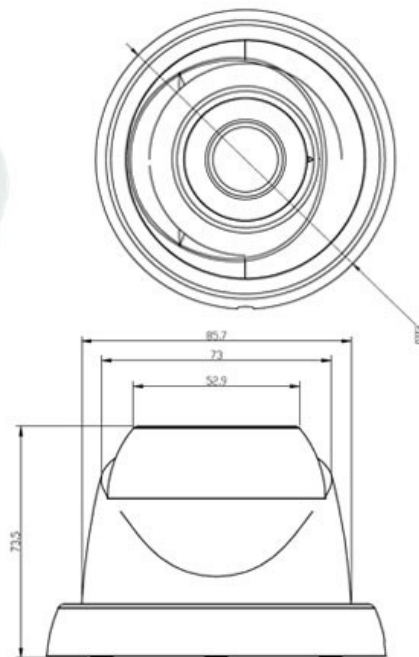


CP- VAC-D13L2-V2**1.3 MP HD Dome Camera - 20 Mtr.****INDIGO****Main Features**

- 1.3 MP HQIS Pro Image Sensor
- 25/30fps@1.3MP
- Day/Night (ICR), AWB, AGC, BLC
- Plug-n-Play HD/SD Camera
- 3.6mm Lens
- Equipped with fine IR LEDs for clearer night vision
- IR Range of 20 Mtr.
- Compatible with HDCVI, HDTVI, AHD and CVBS Formats



CP- VAC-D13L2-V2

1.3 MP HD Dome Camera - 20 Mtr.



Feature

Image Sensor
Minimum Illumination
Shutter Speed
White Balance
Gain Control (AGC)
Lens
S/N Ratio
Back Light Compensation
Video Output
Resolution
Frame Rate
ICR
Gamma Correction
IR
No. of SMD LEDs
Operating Temperature
Humidity
Power Source
Power Consumption
Dimension
Weight

Specification

1/3" 1.3 MP HQIS Pro Image Sensor
Color(0.1Lux) , (0 Lux IR LED On)
1/50s(1/60s)-1/100,000s (Auto/Fixed)
Auto
Auto
3.6mm
≥42.6dB
Auto
1.0Vp-p Composite Output (75Ω / BNC) , HD-AHD(960P)\ HD-TVI(960P)\ HD-CVI(960P)\ CVBS
1.3MP
30fps(60Hz) ,25fps(50Hz)
Support
0.45
IR Range of 20 Mtr.
12pcs
-20°C~+55°C
10% ~ 90% , ≤95% RH no dew
DC12V(+/-10%)
0.4W(2.5W after IR LED Powered on)
108mm x 108mm x 73.5mm
0.2KG