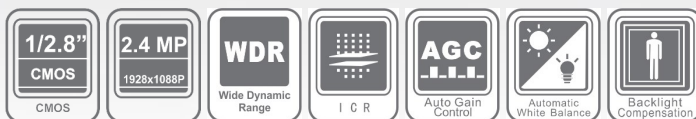


# CP-USC-TA24ZL8C-DS

## 2.4MP WDR IR Bullet Camera - 80Mtr.

- 1/2.8" 2.4MP PS CMOS Image Sensor (0.9071 centimeters)
- Max 30fps@2.4MP
- WDR(130dB), Day/Night (ICR), 3D-DNR, AWB, AGC, BLC, HLC
- 2.7mm~12mm Motorized Lens
- IR Range of 80 Mtrs., IP67
- Support Starlight Technology
- Support Built-in Mic, Super Adapt
- CVI/CVBS/AHD/TVI switchable



### System Overview

Analog cameras can be advantageous in more ways than one – they are economical, especially for large scale setups, and are simple to install. However, one of the major downsides of earlier analog cameras was the image quality, which is critical in the present times. With subsequent technological upgrades over the years, HD resolution was introduced in analog CCTV systems. This served as a major breakthrough as high quality imagery was only available in IP system which was comparatively a costlier option.

Another challenge with analog systems was its compatibility constraint. Newer versions of analog cameras would not pair up with older versions. CP PLUS introduced the revolutionary UNI + technology which supported all analog & HD video formats including CVBS.



# CP-USC-TA24ZL8C-DS

## 2.4MP WDR IR Bullet Camera - 80Mtr.

### Functions

#### WDR

The Wide Dynamic Range (WDR) feature in these cameras provide vivid pictures even in the most contrasting light conditions. That's not all; CP PLUS analog cameras offer True WDR, which optimizes both bright and dark areas of a shot to provide a distinct picture with all elements intact.

#### UNI+ technology

CP PLUS Analog HD cameras offer compatibility across all the available technologies - CVBS, TVI, HDCVI, AHD and HDx, making upgrading simple and hassle-free.

#### Starlight Technology

This camera is widely used to provide sharper and clearer picture quality with the help of its exceptional starlight sensitivity as the camera improves night vision in low light conditions. This technology is useful in conditions with extremely low light as the starlight technology turns almost completely dark images into those of clear colors.

#### Power protection

With a voltage tolerance range of  $\pm 30$ , these cameras are suitable even in fluctuating power conditions.

#### Plug & Play

CP PLUS Analog HD cameras are simple to configure and install.

#### IR LED

Numerous IR LEDs provide detailed images even in very low light conditions. These LEDs adjust the infrared intensity for distinct images in dark environments for up to 80mtrs.

### About CP PLUS

The brand that is on its way to lead the world when it comes to the security and surveillance industry, CP PLUS, keeps bombarding the market with the most reliable range of products that have been designed carefully and methodically to automate the whole surveillance and security process, no matter how big your premises are.

It was the initiative to help the public in the area where they are the most vulnerable and to empower the sense of safety in our hearts that had conceptualized CP PLUS. And embarking on its mission to make the world a safer and more secure place has taken the brand's journey to unprecedented levels even when compared to international competitors.



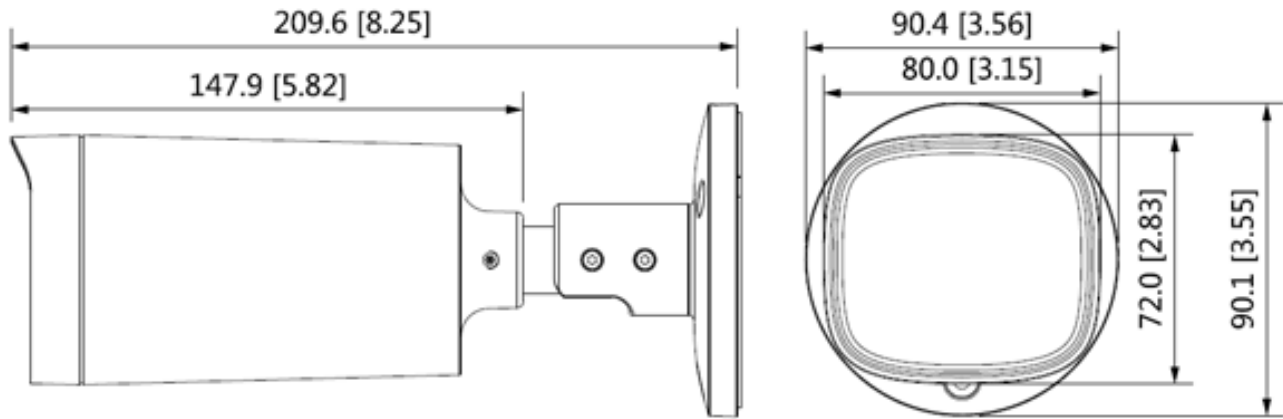
# CP-USC-TA24ZL8C-DS

## 2.4MP WDR IR Bullet Camera - 80Mtr.

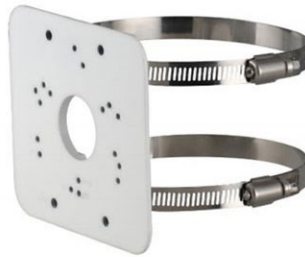
Feature	Specification
Image Sensor	1/2.8" 2.4MP PS CMOS (0.9071 centimeters)
Minimum Illumination	0.002 Lux/F1.5, 30 IRE, 0 Lux IR on
Effective Pixels	2.4MP
Shutter Speed	PAL: 1/25~1/100000s NTSC: 1/30~1/100000s
White Balance	Auto / Area WB
Gain Control (AGC)	Auto; manual
Lens	2.7mm~12mm
Lens Type	Motorized
Lens Mount	φ14
Max Aperture	F1.5
S/N Ratio	>65dB
Auto Focus	Yes
Iris Control	Fixed
Close Focus Distance	0.5 m (1.6 ft)
DORI Distance	2.7mm– 47.6m (Detect) 19m (Observe) 9.5m (Recognize) 4.76m (Identify) 12mm– 132.1m (Detect) 52.9m (Observe) 26.4m (Recognize) 13.2m (Identify)
Noise Reduction	3D-DNR
Back Light Compensation	BLC / HLC / WDR (130dB)
Angle of View	Diagonal: 38°– 123° Horizontal: 33°–102° Vertical: 19°–53°
Day/Night	Auto (ICR)
Video Streaming	CVI: PAL: 1080P@25fps; NTSC:1080P@30fps; AHD: PAL: 1080P@25fps; NTSC:1080P@30fps; TVI: PAL: 1080P@25fps; NTSC:1080P@30fps; CVBS: PAL: 960 × 576H; NTSC: 960 × 480H
Video Output	Video output choices of CVI/TVI/AHD/CVBS by one BNC port
Audio Input	One channel built-in mic
Mirror	Yes

Feature	Specification
Privacy Masking	Off/On (8 area, rectangle)
IR	IR Range of 80 Mtr., Smart IR
Operating Temperature	-30°C ~ +60°C (-22°F ~ 140°F) / < 95% (non-condensation)
Storage Temperature	-30°C ~ +60°C (-22°F ~ 140°F) / < 95% (non-condensation)
Power Source	12V DC ± 30%
Power Consumption	Max 9.4 W (12V DC, IR on)
Weatherproof Standard	IP67
Casing	Metal throughout the whole casing
Dimension	209.6 mm × 90.4 mm × 90.4 mm (8.30" × 3.56" × 3.56")
Weight	0.55kg

Dimensions (mm/inch)



Accessories : Optional



CP-UA-B2P  
Pole Mount