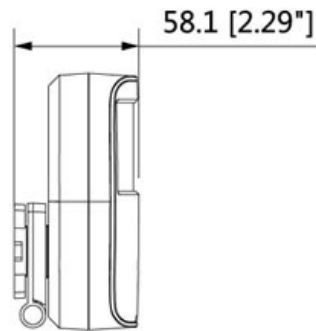
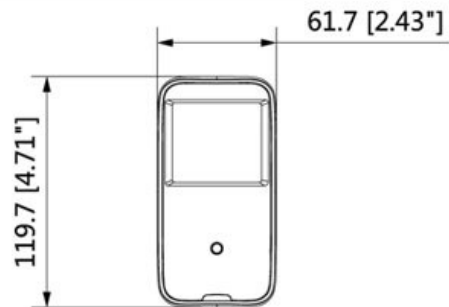


**CP- USC-FA20-MW****2MP Cosmic UFO MotionEye Camera****COSMIC**  
HD CAMERA**Main Features**

- 1/2.9" 2MP CMOS Image Sensor
- Max. 30fps@1080P
- DWDR, Day/Night (ICR), AWB, AGC, BLC, HLC, 2D-DNR
- 2.8mm fixed lens
- Two level detection sensitivity adjustable
- 12m/100° detecting range/angle
- Built-in tamper switch
- HD and SD output switchable



# CP- USC-FA20-MW

## 2MP Cosmic UFO MotionEye Camera

**COSMIC**  
HD CAMERA

### Feature

Image Sensor  
Minimum Illumination  
Shutter Speed  
White Balance  
Gain Control (AGC)  
Lens  
S/N Ratio  
Back Light Compensation  
Angle of View  
Video Streaming  
Video Output  
ICR  
OSD  
Pet immunity  
Operating Temperature  
Transmit power  
Transmit distance  
PIR Detection  
Power Source  
Detection Range  
Sensitivity  
Alarm prompt  
Wireless Frequency  
Power Consumption  
Resistance light  
Dimension  
Weight

### Specification

1/2.9" 2MP CMOS  
0.02Lux/F2.0(Color), 0.002Lux/F2.0(B/W)  
PAL: 1/25~1/100000s NTSC: 1/30~1/100000s  
Auto / Manual  
Auto / Manual  
2.8mm fixed lens  
More than 65dB  
BLC / HLC / DWDR  
H: 100.5°  
25/30fps@1080P, 25/30/50/60fps@720P  
1-channel BNC high definition video output / CVBS video output (Can switch)  
Auto (Electronic) / Manual  
Multi-language  
≤18Kg  
-10°C ~ +50°C (+14°F ~ +122°F) / Less than 90% RH  
10dBm  
1km (open area/no interference)  
Passive infrared  
12V DC ±25%  
12mx12m, 100°, 19zones  
Two level (jumper)  
Red led, can be set to switch off  
433MHz  
Max 0.7W (12V DC, IR on)  
6500LUX  
120mm×62mm×58mm  
0.13kg