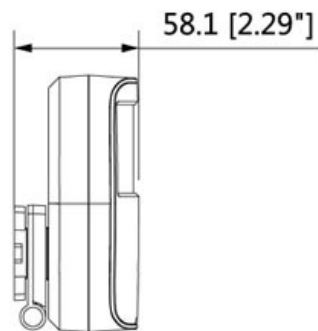
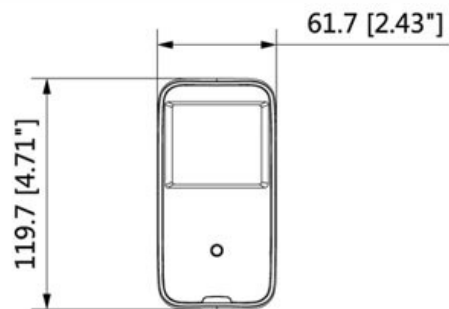


**CP- USC-FA20-M****2MP Cosmic UFO MotionEye Camera****COSMIC**  
HD CAMERA**Main Features**

- 1/2.9" 2MP CMOS Image Sensor
- Max. 30fps@1080P
- DWDR, Day/Night (ICR), AWB, AGC, BLC, HLC, 2D-DNR
- 2.8mm fixed lens
- Two level detection sensitivity adjustable
- 12m/100° detecting range/angle
- Built-in tamper switch
- HD and SD output switchable



**CP- USC-FA20-M****2MP Cosmic UFO MotionEye Camera****COSMIC**  
HD CAMERA**Feature**

Image Sensor  
Minimum Illumination  
Shutter Speed  
White Balance  
Lens  
Gain Control (AGC)  
Angle of View  
Back Light Compensation  
S/N Ratio  
Video Streaming  
Video Output  
ICR  
OSD  
Pet immunity  
Operating Temperature  
PIR Detection  
Detection Range  
Power Source  
Power Consumption  
Alarm prompt  
Sensitivity  
Resistance light  
Dimension  
Weight

**Specification**

1/2.9" 2MP CMOS  
0.02Lux/F2.0(Color), 0.002Lux/F2.0(B/W)  
PAL: 1/25~1/100000s NTSC: 1/30~1/100000s  
Auto / Manual  
2.8mm fixed lens  
Auto / Manual  
H: 100.5°  
BLC / HLC / DWDR  
More than 65dB  
25/30fps@1080P, 25/30/50/60fps@720P  
1-channel BNC high definition video output / CVBS video output (Can switch)  
Auto (Electronic) / Manual  
Multi-language  
≤18Kg  
-10°C ~ +50°C (+14°F ~ +122°F) / Less than 90% RH  
Passive infrared  
12mx12m, 100°, 19zones  
12V DC ±25%  
Max 0.7W (12V DC, IR on)  
Red led, can be set to switch off  
Two level (jumper)  
6500LUX  
120mm×62mm×58mm  
0.13kg