

# CP-USC-DB24ZL6C-VDS

## 2.4MP IR Dome Camera - 60Mtr.

- 1/2.8" 2.4MP PS CMOS Image Sensor (0.9071 centimetres)
- Max 30fps@2.4MP
- WDR(120dB), Day/Night (ICR), 3D/2D-DNR, AWB, AGC, BLC, HLC
- 2.7-13.5mm Motorized lens
- Support Starlight Technology
- IR Range of 60Mtrs., Built-in Mic, IP67
- OSD Menu, control over coaxial cable, 3D/2D-DNR
- HD, SD and Two Analog format Output switchable



### System Overview

Analog cameras can be advantageous in more ways than one – they are economical, especially for large scale setups, and are simple to install. However, one of the major downsides of earlier analog cameras was the image quality, which is critical in the present times. With subsequent technological upgrades over the years, HD resolution was introduced in analog CCTV systems. This served as a major breakthrough as high quality imagery was only available in IP system which was comparatively a costlier option.

Another challenge with analog systems was its compatibility constraint. Newer versions of analog cameras would not pair up with older versions. CP PLUS introduced the revolutionary UNI + technology which supported all analog & HD video formats including CVBS.



## CP-USC-DB24ZL6C-VDS

### 2.4MP IR Dome Camera - 60Mtr.

#### Functions

##### OSD Menu support

CP PLUS HD analog cameras come with their own menu using which the camera settings can be managed, for instance, the signal type can be changed and other sensor level adjustments be made.

##### IR LED

Numerous IR LEDs provide detailed images even in very low light conditions. These LEDs adjust the infrared intensity for distinct images in dark environments for up to 30mtrs.

##### Starlight Technology

This camera is widely used to provide sharper and clearer picture quality with the help of its exceptional starlight sensitivity as the camera improves night vision in low light conditions. This technology is useful in conditions with extremely low light as the starlight technology turns almost completely dark images into those of clear colors.

##### Wide Dynamic Range (WDR)

When a scene is partly dark and partly bright, that is the dynamic range that distorts images due to this difference in the lighting. WDR technology provides you balanced lighting for a clear and vivid image throughout the day. WDR technology can be installed at entry/exit points of any building structure, jewellery shops, outdoor location among so many other places.

##### Power protection

With a voltage tolerance range of  $\pm 30$ , these cameras are suitable even in fluctuating power conditions.

##### Plug & Play

CP PLUS Analog HD cameras are simple to configure and install.

##### UNI+ technology

CP PLUS Analog HD cameras offer compatibility across all the available technologies - CVBS, TVI, HDCVI, AHD and HDx, making upgrading simple and hassle-free.

#### About CP PLUS

The brand that is on its way to lead the world when it comes to the security and surveillance industry, CP PLUS, keeps bombarding the market with the most reliable range of products that have been designed carefully and methodically to automate the whole surveillance and security process, no matter how big your premises are.

It was the initiative to help the public in the area where they are the most vulnerable and to empower the sense of safety in our hearts that had conceptualized CP PLUS. And embarking on its mission to make the world a safer and more secure place has taken the brand's journey to unprecedented levels even when compared to international competitors.



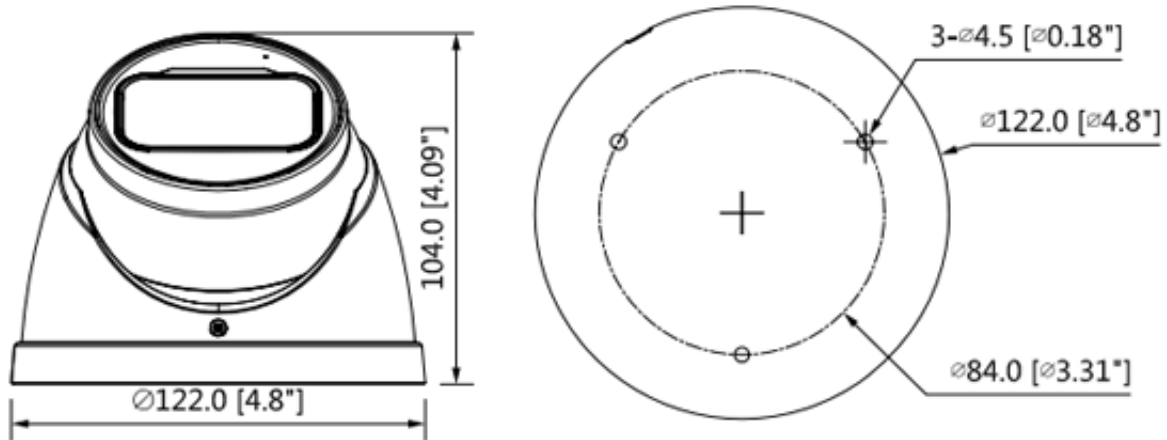
# CP-USC-DB24ZL6C-VDS

## 2.4MP IR Dome Camera - 60Mtr.

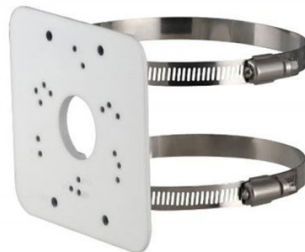
Feature	Specification
Image Sensor	1/2.8" 2.4MP PS CMOS (0.9071 centimetres)
Minimum Illumination	0.004Lux/F1.6, 30IRE, 0Lux IR on
Shutter Speed	PAL: 1/4s~1/100,000s ; NTSC: 1/3s~1/100,000s
S/N Ratio	More than 65dB
Lens	2.7-13.5mm Motorized
Lens Type	Motorized lens
Focus Control	Auto / Manual
Mount Type	Board-in
Max. Aperture	F1.6
Angle of View	H: 108.7°~28.7°
Close Focus Distance	200mm (7.87")
DORI Distance	W: Detect: 44m, Observe: 18m, Recognize: 9m, Identify: 4m T: Detect: 153m, Observe: 61m, Recognize: 31m, Identify: 15m
Back Light Compensation	BLC/HLC/WDR(120dB)
Whit Balance	Auto/ Manual
Video Streaming	25/30fps@2.4MP, 25/30/50/60fps@720P
Video Output	1-channel BNC high definition video output / CVBS video output (DIP switch)
ICR	Auto (ICR) / Manual
IR	IR Range of 60 Mtr.
Smart IR	Auto / Manual
Audio Interface	1ch in & Built-in Mic
Noise Reduction	3D/2D
OSD Menu	Multi-language

Feature	Specification
Weatherproof Standard	IP67
Casing	Aluminium
Operating Temperature	-30°C ~ +60°C (-22°F ~ +140°F) / Less than 95% RH
Power Source	12V DC ±30%
Power Consumption	Max. 5.4W (12V DC, IR on)
Dimension	Φ122mm×107mm (Φ4.8"×4.2")
Weight	0.59kg

Dimensions (mm/inch)



Accessories : Optional



CP-UA-B2P  
Pole Mount