

CP-USC-DA50L3-S

5MP IR Dome Camera

- 1/2.7" 5MP Progressive scan CMOS Image Sensor (0.9407cm)
- Max 25fps@5MP (16:9 video output)
- DWDR, Day/Night (ICR), 2D-DNR, AWB, AGC, BLC, HLC
- 3.6mm Fixed lens (2.8mm optional)
- IR Range of 30Mtrs., Smart IR, IP67
- CVI/CVBS/AHD/TVI switchable
- Support Starlight Technology



System Overview

Analog cameras can be advantageous in more ways than one – they are economical, especially for large scale setups, and are simple to install. However, one of the major downsides of earlier analog cameras was the image quality, which is critical in the present times. With subsequent technological upgrades over the years, HD resolution was introduced in analog CCTV systems. This served as a major breakthrough as high quality imagery was only available in IP system which was comparatively a costlier option.

Another challenge with analog systems was its compatibility constraint. Newer versions of analog cameras would not pair up with older versions. CP PLUS introduced the revolutionary UNI + technology which supported all analog & HD video formats including CVBS.

THINK SECURITY
THINK CP PLUS

 **CP PLUS**



CP-USC-DA50L3-S

5MP IR Dome Camera

Functions

LED

LEDs provide detailed images even in very low light conditions. These LEDs adjust the infrared intensity for distinct images in dark environments for up to 30mtrs.

UNI+ Technology

CP PLUS Analog HD cameras offer compatibility across all the available technologies - CVBS, TVI, HDCVI, AHD and HDx, making upgrading simple and hassle-free.

OSD Menu Support

CP PLUS HD analog cameras come with their own menu using which the camera settings can be managed, for instance, the signal type can be changed and other sensor level adjustments be made.

Starlight Technology

This camera is widely used to provide sharper and clearer picture quality with the help of its exceptional starlight sensitivity as the camera improves night vision in low light conditions. This technology is useful in conditions with extremely low light as the starlight technology turns almost completely dark images into those of clear colors.

Power protection

With a voltage tolerance range of ± 30 , these cameras are suitable even in fluctuating power conditions.

Plug & Play

CP PLUS Analog HD cameras are simple to configure and install.

About CP PLUS

The brand that is on its way to lead the world when it comes to the security and surveillance industry, CP PLUS, keeps bombarding the market with the most reliable range of products that have been designed carefully and methodically to automate the whole surveillance and security process, no matter how big your premises are.

It was the initiative to help the public in the area where they are the most vulnerable and to empower the sense of safety in our hearts that had conceptualized CP PLUS. And embarking on its mission to make the world a safer and more secure place has taken the brand's journey to unprecedented levels even when compared to international competitors.



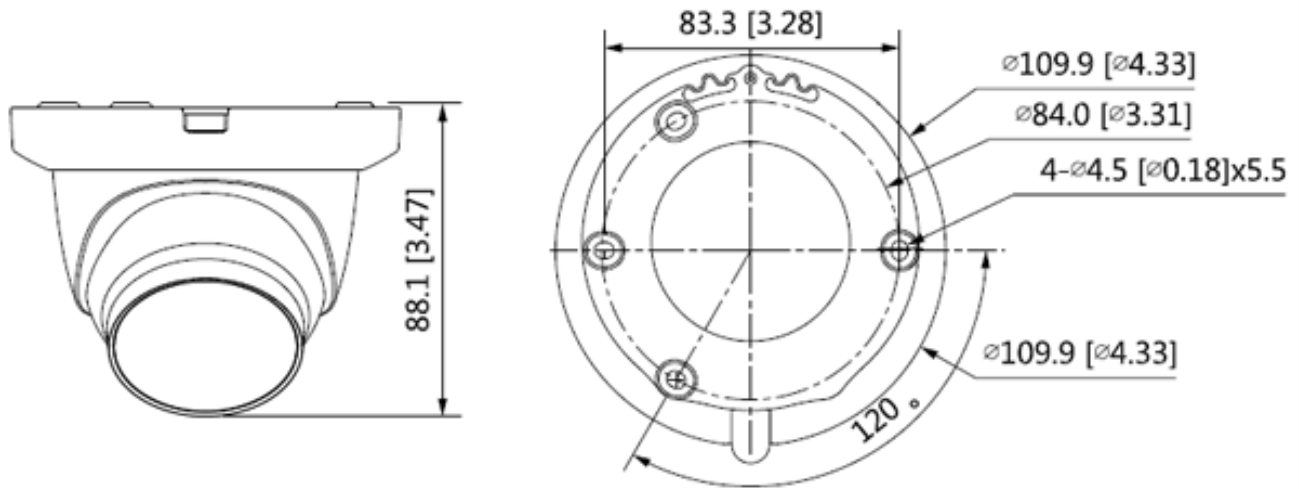
CP-USC-DA50L3-S

5MP IR Dome Camera

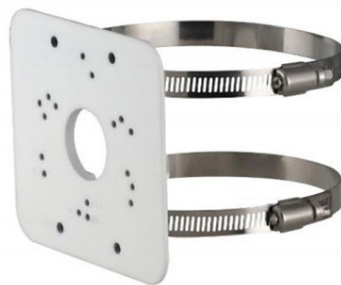
Feature	Specification
Image Sensor	1/2.7" 5MP PS CMOS (0.9407cm)
Minimum Illumination	0.005 Lux/F1.6, 30IRE, 0 Lux IR on
Effective Pixels	2880 (H) × 1620 (V)
Shutter Speed	PAL: 1/25s–1/100000s ; NTSC: 1/30s–1/100000s
White Balance	Auto / Manual
Close Focus Distance	3.6 mm: 1.6 m (5.2 ft); 2.8 mm: 0.9 m (3.0 ft)
Mount Type	M12
Max. Aperture	F1.6
Lens Type	Fixed-focal
Iris Type	Fixed iris
Lens	3.6mm (2.8mm optional)
DORI Distance	3.6mm: 80m (Detect) 32m (Observe) 16m (Recognize) 8m (Identify) 2.8mm: 63.6m (Detect) 25.4m (Observe) 12.7m (Recognize) 6.4m (Identify)
S/N Ratio	>65dB
Back Light Compensation	BLC / HLC / DWDR
Angle of View	3.6mm: 109° × 92° × 48° (diagonal × horizontal × vertical) 2.8 mm: 132° × 111° × 58° (diagonal × horizontal × vertical)
Video Streaming	CVI: PAL: 5M@25fps; 4M@25fps; 1080P@25fps; NTSC: 5M@25fps; 4M@30fps; 1080P@30 fps AHD: PAL: 4M@25 fps; NTSC: 4M@30fps TVI: PAL: 4M@25 fps; NTSC: 4M@30fps; CVBS: PAL: 960H; NTSC: 960H
Resolution	5M (2880 × 1620); 4M (2560 × 1440); 1080P (1920 × 1080); 960H (960 × 576/960 × 480)
Video Output	Video output choices of CVI/TVI/AHD/CVBS by one BNC port
ICR	Auto switch by ICR
Noise Reduction	2D-DNR

Feature	Specification
Mirror	Off/On
Privacy Masking	Off/on (8 area, rectangle)
Gain Control (AGC)	Auto / Manual
IR	IR Range of 30Mtr., Smart IR
Operating Temperature	-40°C ~ +60°C (-40°F ~ +140°F) ; <95% (non-condensation)
Storage Temperature	-40°C to +60°C (-40°F to 140°F); <95% (non-condensation)
Power Source	12V DC ±30%
Power Consumption	Max 3.2W (12V DC, IR on)
Weatherproof Standard	IP67
Dimension	φ109.9mm × 88.1mm (φ4.33" × 3.47")
Casing	Metal dome + metal cover + plastic decorative ring
Weight	0.33kg

Dimensions (mm/inch)



Accessories : Optional



CP-UA-B2P
Pole Mount