

CP-UNP-F4521L25-DFP

2MP 45x WDR IR Network PTZ Camera

- 1/2.8" 2MP PS CMOS Image sensor (0.9071 centimeters)
- Max. 25/30fps@1080P
- Powerful 45x Optical and 16x Digital zoom
- WDR(120dB), 2D/3D-DNR, Day/Night (ICR), EIS, Defog, ROI, BLC, HLC
- Support Starlight Technology
- Up to 300 presets, 8 tour, 5 pattern, 5 auto scan
- IR Range of 250Mtr., IP67, IK10, Support PoE+
- Support Face detection, SMD Plus, Auto-Tracking
- Built-in 7/2 alarm in/out, Micro SD Card
- Mobile Software: iCMOB, gCMOB
- CMS Software: KVMS Pro



System Overview

Using the advanced algorithms of the twenty-first century this Series by CP Plus has been boosted with the starlight technology which is widely used for getting sharper and clearer images with the help of the unprecedented starlight sensitivity that improves night vision for the camera in low-light conditions. On top of that, the Pro Series also consists of the highly efficient H.265+ compression technology.

Functions

Starlight Technology

This camera is widely used to provide sharper and clearer picture quality with the help of its exceptional starlight sensitivity as the camera improves night vision in low light conditions. This technology is useful in conditions with extremely low light as the starlight technology turns almost completely dark images into those of clear colors.



CP-UNP-F4521L25-DFP

2MP 45x WDR IR Network PTZ Camera

Functions

Wide Dynamic Range (WDR)

When a scene is partly dark and partly bright, that is the dynamic range that distorts images due to this difference in the lighting. WDR technology provides you balanced lighting for a clear and vivid image throughout the day. WDR technology can be installed at entry/exit points of any building structure, jewellery shops, outdoor location among so many other places.

Auto-Tracking

This technology enables you to control the pan/tilt/zoom actions in your camera in varying proportions to let you automatically and continuously track an object in the scener that is in motion or is moving. This function comes with the option of automatic or manual tracking depending on the condition to make it more efficient. This is done on the basis of predefined rules. Once such a rule is triggered, the camera can take over on its own and can track the defined target automatically.

True Day/Night (ICR)

When the scene is too dark, the image is captured by illuminating an infrared light through the camera onto the scene that greatly helps with making the scene visible for the lens. It delivers color images during the day and automatically switches to the monochrome feature as the scene darkens.

gCMOB/ iCMOB

Designed to allow users to access and control live streaming from CP PLUS IP Cameras, DVRs/ NVRs and Video Door Phones, the CP PLUS gCMOB/ iCMOB application offers a host of features such as Easy GUI, up to 16 live viewing split-ups; InstaOn cloud support; Playback; digital zoom ins; two-way talk, and more.

KVMS Pro

The KVMS Pro is a hybrid security management software that allows the management of various surveillance devices such as cameras, DVRs/ NVRs, encoders/ decoders, etc. It is released with the surveillance hardware and exclusively supports CP PLUS devices.

About CP PLUS

The brand that is on its way to lead the world when it comes to the security and surveillance industry, CP PLUS, keeps bombarding the market with the most reliable range of products that have been designed carefully and methodically to automate the whole surveillance and security process, no matter how big your premises are.

It was the initiative to help the public in the area where they are the most vulnerable and to empower the sense of safety in our hearts that had conceptualized CP PLUS. And embarking on its mission to make the world a safer and more secure place has taken the brand's journey to unprecedented levels even when compared to international competitors.



CP-UNP-F4521L25-DFP

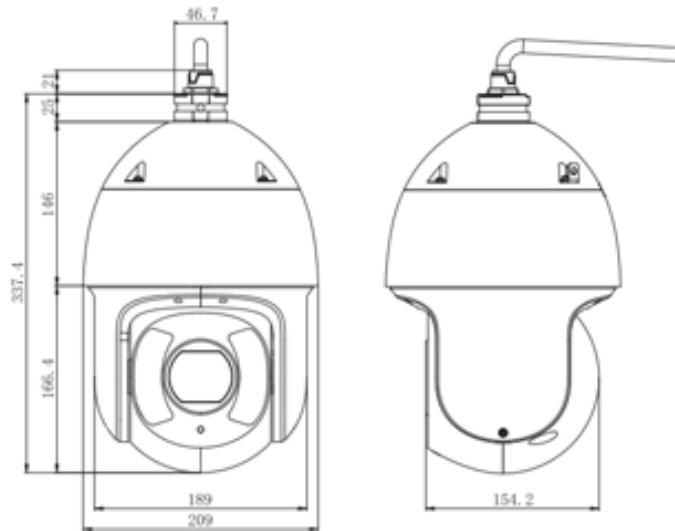
2MP 45x WDR IR Network PTZ Camera

Feature	Specification
Image Sensor	1/2.8" 2MP PS CMOS Image sensor (0.9071 centimeters)
Effective Pixels	1920(H) x 1080(V)
S/N Ratio	>55dB
RAM	1GB
ROM	4GB
Minimum Illumination	Color: 0.005 Lux@F1.6 B/W: 0.0005 Lux@F1.6 0 Lux (IR on)
Focal Length	3.95mm~177.7mm
White Balance	Auto/Indoor/Outdoor/Tracking/Manual/Sodium lamp/Natural/Street lamp
Iris Control	Auto/Manual
Bit Rate	H.264: 3 Kbps–8192 Kbps ; H.265: 3 Kbps–8192 Kbps
Focus Control	Auto/Semi-Auto/Manual
Close Focus Distance	0.01 m–3 m
Max. Aperture	F1.6 ~ F4.95
DORI Distance	2451.7m(Detect) 972.9m(Observe) 490.3m(Recognize) 245.2m(Identify)
Angle of View	H: 65.7°–1.9°; V: 39.4°–1.1°; D: 73.1°–2.1°
Electronic Shutter	1/1s~1/30,000s
AGC control	Auto / Manual
Back Light Compensation	BLC / HLC / WDR(120dB)
Optical Zoom	45x
Digital Zoom	16x
Pan Travel	0°~360° endless, Pan Speed: 0.1° ~ 260°/sec
Tilt Travel	-20° ~ +90°, Tilt Speed: 0.1° ~120°/sec
Manual Speed	Pan: 0.1° ~260° /s; Tilt: 0.1° ~120° /s
Presets	300
Preset Speed	Pan: 300° /s; Tilt: 200° /s
Special Features	Electronic Defog, Up to 300 Presets, 5 Pattern, 8 Tour (up to 32 presets per tour), 5 Pattern, 5 Auto Scan

Feature	Specification
Privacy Masking	Up to 24 areas, and up to 8 areas in the same view
Power-off Memory	Support
Idle Motion	Preset/Tour/Pattern/Scanning
Day/Night	Support
IR Range	IR Range upto 250m
IR Number	6
Video Compression	H.265; H.265+; H.264+; H.264; MJPEG (Sub Stream)
Video Streaming	Main stream: 1080P/1.3M/720P/D1 (1–25/30 fps) Sub stream 1: 1080P/1.3M/720P/D1(1–25/30 fps) Sub stream 2: D1/CIF (1–25/30 fps) Sub stream 3: D1/CIF (1–25/30 fps)
Streaming Method	Unicast / Multicast
Audio Compression	G.711A; G.711Mu; G.726; AAC; G.722.1; G.723; G.729; PCM; MPEG2-Layer2
Two-way Audio	Support
Motion Detection	Support
ROI	Support
Audio Streaming	1/1 channel In/Out (LINE IN/OUT; bare wire)
Auto Tracking	Support
IVS	Object Abandoned/Missing
Perimeter Protection	Tripwire and intrusion. Support alarm triggering by target types (human and vehicle). Support filtering false alarms caused by animals, rustling leaves, bright lights, etc.
SMD Plus	Support
Smart Capture	Support human, motor vehicle and non-motor vehicle image capture.
Networking	1 RJ-45 Port (10/100Base-T), 1 RS485 Port (baud rate range:1200 bps–9600 bps)
Protocols	IPv4; IPv6; HTTP; HTTPS; 802.1x; QoS; FTP; SMTP; UPnP; SNMP v1/v2c/v3 (MIB-2); DNS; DDNS; NTP; RTSP; RTP; TCP; UDP; IGMP; ICMP; DHCP; PPPoE; ARP; RTCP, ONVIF Profile S&G&T; CGI
Event Trigger	Motion detection, video tampering, scene changing, network disconnection, IP address conflict, illegal access, and storage anomaly.
Alarm	7/2 channel In/Out
Max Remote Users	20 (total bandwidth 64 MB)
Browser	IE7 and later versions Chrome 42 and earlier versions Firefox 52 and earlier versions Safari
Smart Phone	iPhone, iPad, Android Phone
Memory Slot	FTP; Micro SD card (256 GB); P2P

Feature	Specification
Weather Proof Standard	IP67; IK10; TVS 8000V lightning protection; surge protection; voltage transient protection
Operating Temperature	-40°C to +70°C (-40°F to +158°F)
Operating Humidity	≤ 95%RH
Power Source	DC 24V/2.5A ± 25%; PoE+ (802.3at)
Power Consumption	13W, 26W (IR light On)
Dimension	337.4 mm × Φ209.1 mm (13.28" × Φ8.23")
Casing	Metal
Weight	6.5 kg

Dimensions (mm/inch)



Accessories : Optional



CP-UA-B3P
Pole Mount