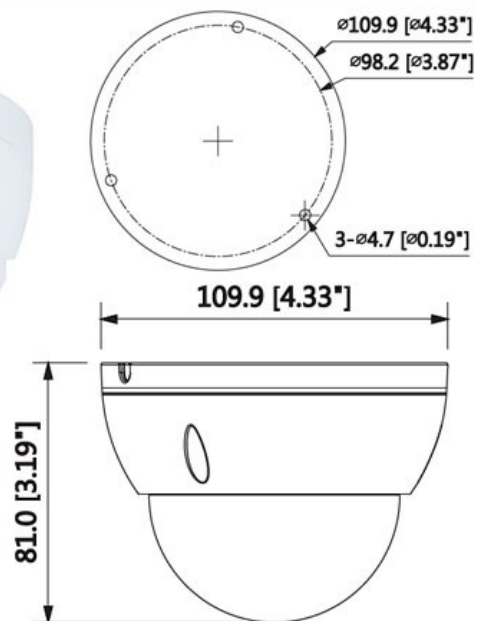


CP- UNC-VB41L3-MDS**4MP Full HD WDR IR Vandal Dome Camera - 30Mtr.****Main Features**

- 1/3" 4MP CMOS Image sensor (0.84667cm)
- 4MP (2560 × 1440)@25/30fps
- Support Starlight Technology
- Instastream, H.265, H.264+ Dual Stream Coding
- WDR(120dB), Day/Night (ICR), 3D-DNR, ROI, AWB, AGC, BLC, HLC
- 3.6mm fixed lens (2.8mm optional)
- Built-in IR LED, IR Range of 30 Mtrs, IP67, IK10, Micro SD Card, PoE
- Mobile Software: iCMOB, gCMOB
- CMS Software: KVMS Pro



CP- UNC-VB41L3-MDS

4MP Full HD WDR IR Vandal Dome Camera - 30Mtr.

| Feature | Specification |
|--------------------------|--|
| Image Sensor | 1/3" 4MP PS CMOS Image Sensor (0.84667cm) |
| Effective Pixels | 2688 (H) × 1520 (V) |
| Minimum Illumination | 0.008 Lux@F1.6 |
| Electronic Shutter Speed | Auto/Manual 1/3 s–1/100000 s |
| Field of View | 2.8 mm: Horizontal: 102.0° , Vertical: 55.0° , Diagonal: 121.0° 3.6 mm: Horizontal: 84.0° , Vertical: 45.0° , Diagonal: 100.0° |
| White Balance | Auto/natural/street lamp/outdoor/manual/regional custom |
| Lens | 3.6mm fixed lens (2.8mm optional) |
| Gain Control (AGC) | Auto/Manual |
| Back Light Compensation | BLC/ HLC/ WDR(120dB) |
| Video Compression | Instastream; H.265; H.264+; H.264; H.264B; MJPEG |
| Resolution | 2688 × 1520 (2688 × 1520); 2560 × 1440 (2560 × 1440); 2304 × 1296 (2304 × 1296); 1080P (1920 × 1080); 1.3M (1280 × 960); 720p (1280 × 720); D1 (704 × 576/704 × 480); VGA (640 × 480); CIF (352 × 288/352 × 240) |
| Frame Rate | Main stream: 2688 × 1520 (1 fps-20 fps) 2560 × 1440 (1 fps-25/30 fps) Sub stream: 704 × 576 (1 fps-25 fps) 704 × 480 (1 fps-30 fps) |
| Mirror | Yes |
| Motion detection | OFF/ON (4 areas, rectangular) |
| Privacy Mask | 4 Areas |
| ICR | Day/Night |
| ROI | Yes (4 areas) |
| Bit Rate | H.264: 32 kbps–6144 kbps; H.265: 12 kbps–6144 kbps |
| IVS | Intrusion; tripwire |
| Event Trigger | Abnormality detection: Motion detection, video tempering, no SD card, SD card full, SD card error, network disconnected, IP conflict, illegal access, voltage detection |
| Protocol | HTTP; TCP; ARP; RTSP; RTP; UDP; RTCP; SMTP; FTP; DHCP; DNS; DDNS; PPPoE; IPv4/v6; QoS; UPnP; NTP; RTMP; Multicast; HTTPS; SFTP; 802.1x; ICMP; IGMP; ONVIF (Profile S/Profile G/T); CGI; Milestone; Genetec |
| Ethernet | RJ-45 (10/100Base-T) |
| User Account | 20 Users |



CP- UNC-VB41L3-MDS

4MP Full HD WDR IR Vandal Dome Camera - 30Mtr.

Feature

IR
Smart Phone
Micro SD
Operating Temperature
Operating Humidity
Storage Temperature
Storage Humidity
Power Source
Power Consumption
Weatherproof Standard
Casing
Dimension
Weight

Specification

IR Range of 30 Mtr.
iPhone, iPad, Android Phone
FTP; Micro SD card (max. 512GB); NAS
-40°C to +60°C (-40°F to +140°F)
≤95%
-40°C to +60°C (-40°F to +140°F)
≤95%
12V DC/PoE
<5.2W
IP67, IK10
Metal
81mm × Φ109.9mm (3.19" × Φ4.33")
0.350 kg