

CP-UNC-TC81ZL6-VMDS

8MP WDR IR Network Bullet Camera - 60 Mtr.

- 1/2.8" 8MP PS CMOS Image Sensor (7.112cm)
- Instastream/ Smart H.264+ triple-stream encoding
- Outputs max. 8MP (3840 × 2160)@20fps (AI function enabled by default) and Supports 8MP (3840 × 2160)@25/30fps (when AI function disabled)
- WDR(120dB), Day/Night (ICR), 3D-DNR, ROI, AWB, AGC, BLC, HLC
- IR Range of 60 Mtrs.
- 2.7mm- 13.5mm Motorized Lens
- Support Starlight Technology
- Micro SD Card, IP67, SMD Plus, PoE
- Mobile Software: iCMOB, gCMOB
- CMS Software: KVMS Pro



System Overview

This Series has gathered a lot of fame over the years for its eminent capabilities on top of its artful appearance which lets it mix in any background. This series entails a wide range of easily-mountable solutions that have been crafted with the IR Megapixel technology that delivers resolutions varying from 2MP to 8MP depending on your choice of products. This Series comes with a varifocal lens/motorized/fixed lens and is absolutely pocket-friendly, which makes it the best choice for a number of small and mid-size places.

Functions

Starlight Technology

This camera is widely used to provide sharper and clearer picture quality with the help of its exceptional starlight sensitivity as the camera improves night vision in low light conditions. This technology is useful in conditions with extremely low light as the starlight technology turns almost completely dark images into those of clear colors.



CP-UNC-TC81ZL6-VMDS

8MP WDR IR Network Bullet Camera - 60 Mtr.

Functions

Wide Dynamic Range (WDR)

When a scene is partly dark and partly bright, that is the dynamic range that distorts images due to this difference in the lighting. WDR technology provides you balanced lighting for a clear and vivid image throughout the day. WDR technology can be installed at entry/exit points of any building structure, jewellery shops, outdoor location among so many other places .

Smart Analytical Support

Using an advanced algorithm, smart analytical technology lets you set a multitude of safety parameters and sends you alerts when any of those parameters have been compromised. Not just when there's an occurrence of tripwire or intrusion.

Smart Motion Detection (SMD Plus)

CPPLUS has introduced Smart Motion Detection, AI-based SMD, which use an advanced algorithm to differentiate human and vehicular shapes within a scene and send alarms only when a person or vehicle is detected.

True Day/Night (ICR)

When the scene is too dark, the image is captured by illuminating an infrared light through the camera onto the scene that greatly helps with making the scene visible for the lens. It delivers color images during the day and automatically switches to the monochrome feature as the scene darkens.

Regions of Interest

Regions of Interest (ROI) is a user defined feature that allows the operator to monitor specific areas of a scene while still maintaining overall situational awareness of less important areas.

gCMOB/ iCMOB

Designed to allow users to access and control live streaming from CP PLUS IP Cameras, DVRs/ NVRs and Video Door Phones, the CP PLUS gCMOB/ iCMOB application offers a host of features such as Easy GUI, up to 16 live viewing split-ups; InstaOn cloud support; Playback; digital zoom ins; two-way talk, and more.

About CP PLUS

The brand that is on its way to lead the world when it comes to the security and surveillance industry, CP PLUS, keeps bombarding the market with the most reliable range of products that have been designed carefully and methodically to automate the whole surveillance and security process, no matter how big your premises are.

It was the initiative to help the public in the area where they are the most vulnerable and to empower the sense of safety in our hearts that had conceptualized CP PLUS. And embarking on its mission to make the world a safer and more secure place has taken the brand's journey to unprecedented levels even when compared to international competitors.



CP-UNC-TC81ZL6-VMDS

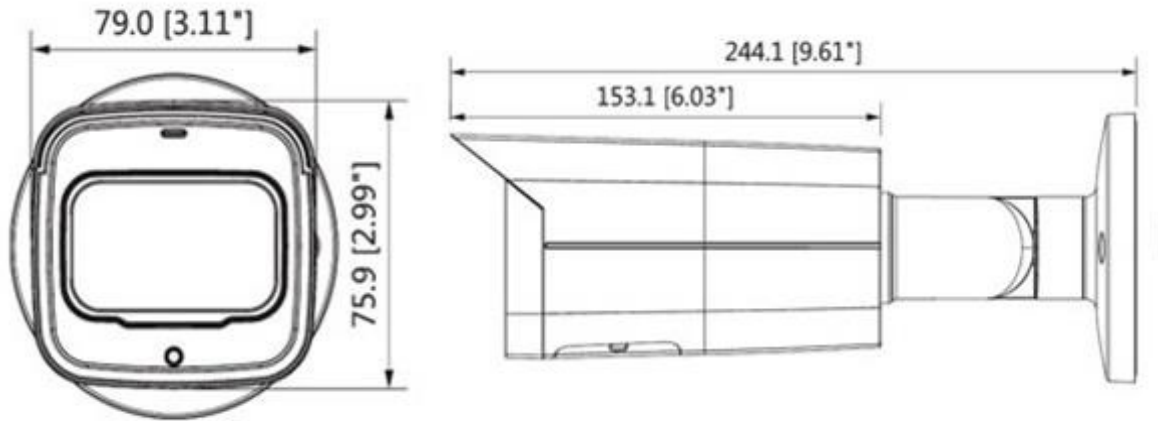
8MP WDR IR Network Bullet Camera - 60 Mtr.

Feature	Specification
Image Sensor	1/2.8" 8MP PS CMOS Image Sensor (7.112cm)
Minimum Illumination	0.007 Lux@F1.5 (Color, 30IRE) 0.0007 Lux@F1.5 (B/W, 30IRE) 0 Lux (IR on)
Effective Pixels	3840 (H) × 2160 (V)
Shutter Speed	Auto/Manual, 1/3 s~1/100000s
White Balance	Auto/natural/street lamp/outdoor/manual/regional custom
Lens	2.7mm~13.5mm Motorized
Mount Type	φ14
Max. Aperture	F1.5
Iris Type	Fixed Aperture
S/N Ratio	>56dB
ROM & RAM	128MB & 512MB
DORI Distance	W- 85.3m (Detect) 34.1m (Observe) 17.0m (Recognize) 8.5m (Identify) T- 280.0m (Detect) 112.0m (Observe) 56.0m (Recognize) 28.0m (Identify)
Gain Control (AGC)	Auto/Manual
Video Compression	Instastream/ Smart H.264+/H.265; H.264; H.264H; H.264B; MJPEG (only supported by the sub stream)
Angle of View	Horizontal: 113°-31° Vertical: 58°-17° Diagonal:138°-36°
Back Light Compensation	BLC / HLC / WDR(120dB)
Video Streaming	Main stream:3840 × 2160@(1-20fps by default) 3840 × 2160@(1-25/30fps when AI function disabled) sub stream: 704 × 576@(1-25fps)/704 × 480@(1-30fps) Third stream:1920 × 1080@(1-25/30fps)
Resolution	8M (3840 × 2160); 6M (3072 × 2048); 5M (3072 × 1728/2592 × 1944); 4M (2688 × 1520); 3M (2048 × 1536/2304 × 1296); 1080p (1920 × 1080); 1.3M (1280 × 960); 720p (1280 × 720); D1 (704 × 576/704 × 480); VGA (640 × 480); CIF (352 × 288/352 × 240)
Motion detection	OFF/ON (4 areas, rectangular)
Privacy Mask	4 areas
ICR	Auto (ICR)/Color/B/W

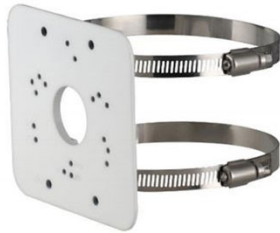
Feature	Specification
ROI	Yes (4 areas)
Audio Input	1 Ch. (RCA port)
Audio Output	1 Ch. (RCA port)
Audio Compression	G.711a; G.711Mu; G726
Alarm IN	1 channels in: 5mA 3V–5V DC
Alarm Out	1 channels out: 300mA 12V DC
Bit Rate	H.264: 3 Kbps–8192 Kbps H.265: 3 Kbps–8192 Kbps
Protocol	IPv4; IPv6; HTTP; TCP; UDP; ARP; RTP; RTSP; RTCP; RTMP; SMTP; FTP; SFTP; DHCP; DNS; DDNS; QoS; UPnP; NTP; Multicast; ICMP; IGMP; NFS; SAMBA; PPPoE; SNMP, ONVIF (Profile S/Profile G/Profile T); CGI; Milestone; Genetec
Smart Detection	Tripwire; intrusion (support the classification and accurate detection of vehicle and human)
Intelligent Search	Work together with Smart NVR to perform refine intelligent search, event extraction and merging to event videos
Alarm Event	No SD card; SD card full; SD card error; service life warning (only supported by Dahua card); network disconnection; IP conflict; illegal access; motion detection; video tampering; intrusion; tripwire; scene changing; audio detection; voltage detection; defocus detection; external alarm; SMD; safety exception
Mirror	Yes
Ethernet	RJ-45 (10/100Base-T)
SDK and API	Yes
OTA (Online Device Upgrade)	Support
Cloud Health Monitoring System (HMS)	Support
Abnormality Detection	Motion detection, video tampering, scene changing, audio detection, no SD card, SD card full, SD card error, network disconnection, IP conflict, illegal access, and voltage detection
Cyber Security	Video encryption; firmware encryption; configuration encryption; Digest; WSSE; account lock-out; security logs; IP/MAC filtering; generation and importing of X.509 certification; syslog; HTTPS; 802.1x; trusted boot; trusted execution; trusted upgrade
User/Host	20 (Total bandwidth: 72 M)
Smart Phone	iPhone, iPad, Android Phone
IR	IR Range of 60 Mtr., Smart IR
No of IR LEDs	4
Browser	IE IE8, IE9, IE11, Google Chrome, Firefox

Feature	Specification
Micro SD	FTP; SFTP; Micro SD card (support max. 256 G); NAS
Operating Temperature	-30°C to +60°C (-22°F to +140°F)
Humidity	Less than 95% RH
Power Source	12V DC/PoE (802.3af)
Power Consumption	Basic power consumption: 3.0W (12V DC); 3.5W (PoE) Max. power consumption (WDR + H.265 + IR LED intensity): 9.2W (12V DC); 10.7W (PoE)
Weatherproof Standard	IP67
Casing	Metal
Dimension	244.1 mm × 79.0 mm × 75.9 mm (L × W × H)
Weight	820 g

Dimensions (mm/inch)



Accessories : Optional



CP-UA-B2P
Pole Mount