

# CP-UNC-TC41ZL6C-VMDS-V2

## 4MP Network IR Bullet Camera- 60 Mtr.

- 1/2.9" 4MP PS CMOS Image Sensor (0.8758cm)
- Instastream, and H.264+, triple-stream encoding
- Max. 4 MP (2688 × 1520) @25/30 fps
- 2.7mm~13.5mm Motorized lens
- WDR(120dB), Day/Night (ICR), 3D NR, ROI, AWB, AGC, HLC, BLC
- IR Range of 60 Mtrs., Built-in IR LED
- Micro SD Card, Built-in Mic, IP67, IK10 (optional), PoE, SMD 4.0
- Support Starlight Technology
- Mobile Software: iCMOB, gCMOB
- CMS Software: KVMS Pro



### System Overview

Understanding the need of the hour in the security and surveillance industry, this series has been integrated with the starlight technology along with efficient and powerful deep-learning algorithms to make your life hugely easier. The numerous AI-based smart functions of this camera let you capture a face, protect the perimeter and even count people, greatly improving the accuracy of your video analysis. This camera also complies with international certification standards such as IP67 and IK10, as this camera is not just dust-proof and water-proof but also shock-proof and vandal-proof (which is given in selected models).

### Functions

#### Starlight Technology

This camera is widely used to provide sharper and clearer picture quality with the help of its exceptional starlight sensitivity as the camera improves night vision in low light conditions. This technology is useful in conditions with extremely low light as the starlight technology turns almost completely dark images into those of clear colors .



## CP-UNC-TC41ZL6C-VMDS-V2

### 4MP Network IR Bullet Camera- 60 Mtr.

#### Functions

##### Wide Dynamic Range (WDR)

When a scene is partly dark and partly bright, that is the dynamic range that distorts images due to this difference in the lighting. WDR technology provides you balanced lighting for a clear and vivid image throughout the day. WDR technology can be installed at entry/exit points of any building structure, jewelry shops, outdoor location among so many other places.

##### Power over Ethernet (PoE)

This product uses the latest PoE technology to troubleshoot the occurrence of any issues in the system making it easier to use. With the help of this technology, your camera now only consumes energy directly from the power supply and doesn't require any mid-way switches

##### True Day/Night (ICR)

When the scene is too dark, the image is captured by illuminating an infrared light through the camera onto the scene that greatly helps with making the scene visible for the lens. It delivers color images during the day and automatically switches to the monochrome feature as the scene darkens.

##### IK10 Technology

This product has been inculcated with the IK10 vandal resistance technology which is the topmost mechanical protection in the surveillance industry. This technology enables your camera in developing a strong and robust appearance that can't be defeated by water, dust or even severe shocks as the powerful housing of this camera deters any damage from occurring.

#### About CP PLUS

The brand that is on its way to lead the world when it comes to the security and surveillance industry, CP PLUS, keeps bombarding the market with the most reliable range of products that have been designed carefully and methodically to automate the whole surveillance and security process, no matter how big your premises are.

It was the initiative to help the public in the area where they are the most vulnerable and to empower the sense of safety in our hearts that had conceptualized CP PLUS. And embarking on its mission to make the world a safer and more secure place has taken the brand's journey to unprecedented levels even when compared to international competitors.



# CP-UNC-TC41ZL6C-VMDS-V2

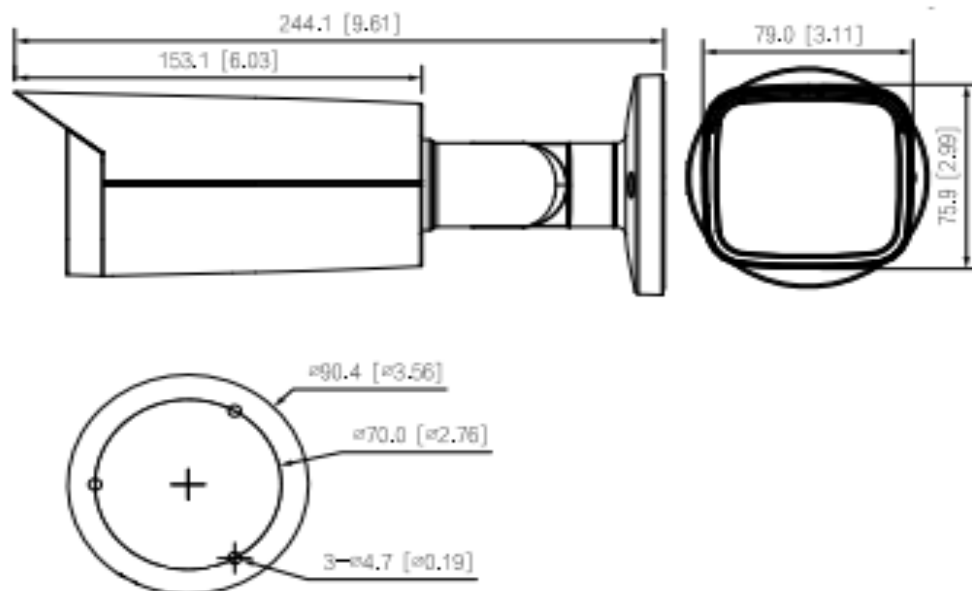
## 4MP Network IR Bullet Camera- 60 Mtr.

Feature	Specification
Image Sensor	1/2.9" 4 Megapixel PS CMOS Image Sensor (0.8758cm)
Minimum Illumination	0.005 lux@F1.5 (Color, 30 IRE) 0.0005 lux@F1.5 (B/W, 30 IRE) 0 lux (Illuminator on)
Max. Resolution	2688 (H) × 1520 (V)
Shutter Speed	Auto/Manual 1/3 s–1/100,000 s
White Balance	Auto; natural; street lamp; outdoor; manual; regional custom
RAM	512 MB
ROM	128 MB
Iris Control	Fixed
DORI Distance	W: 64.0m (Detect), 25.6m (Observe), 12.8m (Recognize), 6.4m (Identify), T: 210.0m (Detect), 84.0m (Observe), 42.0m (Recognize), 21.0m (Identify)
Gain Control(AGC)	Auto
Lens	2.7 mm–13.5 mm
Lens Mount	φ14
Lens Type	Motorized Lens
Max. Aperture	F1.5
Close Focus Distance	0.8 m (2.62 ft)
Pan,Tilt, Rotation	Pan: 0°–360°; Tilt: 0°–90°; Rotation: 0°–360°
S/N Ratio	>56 dB
Video Compression	H.265; H.264; Smart H.264+, H.264H; H.264B; MJPEG (only supported by the sub stream)
Encode Strategy	Instastream, AI Instastream
stream Capability	3 streams
Angle of View	H: 104°–29° V: 54° –16° D: 125° –33°
Smart search	Work together with Smart NVR to perform refine intelligent search, event extraction and merging to event videos
Back Light Compensation	BLC / HLC / WDR(120dB)

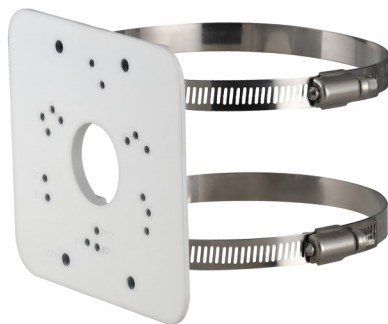
Feature	Specification
Video Streaming	Main stream: 2688 × 1520 @ (1–25/30) fps Sub stream 1: 704 × 576 @ (1–25 fps)/704 × 480 @ (1–30 fps) Sub stream 2: 1920 × 1080 @ (1–25/30 fps) *The values above are the max. frame rates of each stream; for multiple streams, the values will be subjected to the total encoding capacity
Resolution	4M (2688 × 1520); 3.6M (2560 × 1440); 3M (2048 × 1536); 3M (2304 × 1296); 1080p (1920 × 1080); 1.3M(1280 × 960); 720p (1280 × 720); D1 (704 × 576/704 × 480); CIF (352 × 288/352 × 240); VGA (640 × 480)
Noise Reduction	3D NR
Image Stabilization	Electronic Image Stabilization (EIS)
Motion detection	OFF/ON (4 areas, rectangular)
Privacy Mask	4 areas
ROI	Support (4 areas)
Audio	Built-in Mic
Audio Input	1 channel (RCA port)
Audio Output	1 channel (RCA port)
Audio Compression	G.711a; G.711Mu; PCM; G.726; G.723
Alarm IN	1 channel in: wet contact, 5 mA 3 V–5 VDC
Alarm Out	1 channel out: wet contact, 300 mA 12 VDC
Bit Rate	H.264: 3 kbps–8192 kbps H.265: 3 kbps–8192 kbps
Bit Rate Control	CBR/VBR
Protocol	IPv4; IPv6; HTTP;TCP; UDP; ARP; RTP; RTSP; RTCP; RTMP; SMTP; FTP; SFTP; DHCP; DNS; DDNS; QoS; UPnP; NTP; Multicast; ICMP; IGMP; NFS; SAMBA; PPPoE; SNMP; InstaOn, ONVIF (Profile S/Profile G/Profile T); CGI, Milestone; Genetec
Day/Night	Auto (ICR)/Color/B/W
SDK and API	Support
Ethernet	RJ-45 (10/100 Base-T)
Alarm Event	No SD card; SD card full; SD card error; service life warning (only supported by CP Plus card); network disconnection; IP conflict; illegal access; motion detection; video tampering; intrusion; tripwire; scene changing; audio detection; voltage detection; defocus detection; external alarm; SMD; safety exception
Cyber Security	Video encryption; Firmware encryption; Configuration encryption; Digest; WSSE; Account lock-out; Security logs; IP/MAC filtering; Generation and importing of X.509 certification; syslog; HTTPS; 802.1x; Trusted boot; Trusted execution; Trusted upgrade

Feature	Specification
Image Rotation	0°/90°/180°/270° (support 90°/270° with 2688 × 1520 resolution and lower)
AI SSA	Support
Defog	Support
Scene Self-adaptation(SSA)	Support
User/Host	20 (Total bandwidth: 64 M)
Mirror Function	Support
Browser	IE: IE11, Chrome, Firefox
Smart Phone	iOS, Android
IR Control	Auto/Manual
IR Distance	IR Range of 60Mtr.
IR Number	4 (IR LED)
Storage	FTP; SFTP; Micro SD card (support max. 512G); NAS
Intelli Check	With AI NVR, quickly pick up the human/vehicle targets that users are interested in from SMD events
IVS	Tripwire, intrusion (support the classification and accurate detection of vehicle and human)
Power Source	12 VDC/PoE (802.3af)
Power Consumption	Basic: 2.8 W (12 VDC); 3.6 W (PoE), Max. (WDR + IR intensity + Intelligence): 7.9 W (12 VDC); 9.2 W (PoE)
Storage Temperature	-40 °C to +60 °C (-40 °F to 140 °F)
Operating Temperature	-30 °C to +60 °C (-22 °F to 140 °F) /Less than 95% RH
Weatherproof Standard	IP67
Casing	Metal
Dimension	244.1 mm × 79.0 mm × 75.9 mm (9.61" × 3.11" × 3.00") (L × W × H)
Weight	820 g (1.81 lb)

Dimensions (mm/inch)



Accessories : Optional



CP-UA-B2P  
Pole Mount

**Company Name:**

CP PLUS (Aditya Infotech Ltd.)  
F-28 Okhla Industrial Area, Phase 1,  
New Delhi 110020, INDIA

**Contact Mail ID :-** [customercare@cpplusworld.com](mailto:customercare@cpplusworld.com)