

CP-UNC-TA21L2C-GP-V3

2MP Full-color Guard+ Network IR Bullet Camera

- 1/2.8" 2Megapixel PS CMOS Image Sensor (0.9071 centimeters)
- Max. Output 2MP(1920 x 1080)@25/30fps
- Instastream; SMART H.264 and H.264 dual-stream encoding
- DWDR, Day/Night(ICR), 3D-NR, ROI, AWB, AGC, BLC, HLC
- 3.6mm fixed lens (2.8mm optional)
- Built in Mic, Built-in LEDs, Support IP67, PoE
- Illumination Range 15 Mtrs
- Mobile Software: iCMOB, gCMOB
- CMS Software: KVMS Pro



System Overview

With features of simple installation, easy operation, and high performance-cost ratio, This Series camera is applicable to small and medium-sized scenes, such as homes/residences, small-sized retail stores, and other small and medium-sized enterprises.

Functions

Full-color

With high-performance sensor and large aperture lens, Guard+ Series of Network Camera Full-color technology can display clear colorful image in the environment of ultra-low illuminance. With this photosensitivity technology, the camera can capture more available light, and display more colorful image details.



CP-UNC-TA21L2C-GP-V3

2MP Full-color Guard+ Network IR Bullet Camera

Functions

True Day/Night (ICR)

When the scene is too dark, the image is captured by illuminating an infrared light through the camera onto the scene that greatly helps with making the scene visible for the lens. It delivers color images during the day and automatically switches to the monochrome feature as the scene darkens.

Regions of Interest

Regions of Interest (ROI) is a user defined feature that allows the operator to monitor specific areas of a scene while still maintaining overall situational awareness of less important areas.

gCMOB/ iCMOB

Designed to allow users to access and control live streaming from CP PLUS IP Cameras, DVRs/ NVRs and Video Door Phones, the CP PLUS gCMOB/ iCMOB application offers a host of features such as Easy GUI, up to 16 live viewing split-ups; InstaOn cloud support; Playback; digital zoom ins; two-way talk, and more.

KVMS Pro

The KVMS Pro is a hybrid security management software that allows the management of various surveillance devices such as cameras, DVRs/ NVRs, encoders/ decoders, etc. It is released with the surveillance hardware and exclusively supports CP PLUS devices.

About CP PLUS

The brand that is on its way to lead the world when it comes to the security and surveillance industry, CP PLUS, keeps bombarding the market with the most reliable range of products that have been designed carefully and methodically to automate the whole surveillance and security process, no matter how big your premises are.

It was the initiative to help the public in the area where they are the most vulnerable and to empower the sense of safety in our hearts that had conceptualized CP PLUS. And embarking on its mission to make the world a safer and more secure place has taken the brand's journey to unprecedented levels even when compared to international competitors.



CP-UNC-TA21L2C-GP-V3

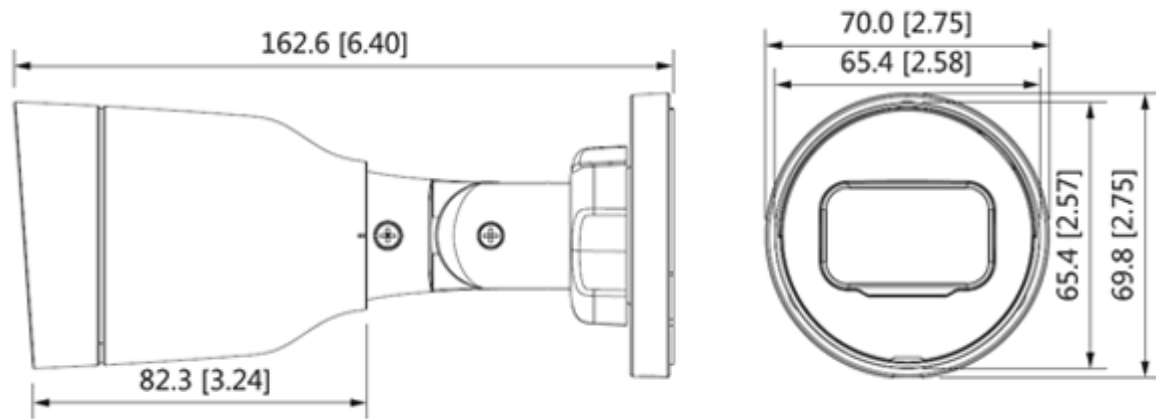
2MP Full-color Guard+ Network IR Bullet Camera

Feature	Specification
Image Sensor	1/2.8" 2MP PS CMOS Image Sensor(0.9071 centimeters)
Effective Pixels	1920 (H) × 1080 (V)
Minimum Illumination	0.005 Lux @F1.6
Shutter Speed	Auto/Manual 1/3 s–1/100000 s
ROM	16 MB
RAM	64 MB
Max. Aperture	F1.6
Lens Type	Fixed-focal
Lens	3.6mm (2.8mm optional)
Lens Mount	M12
Iris Type	Fixed
Gain Control (AGC)	Auto/Manual
Close Focus Distance	0.7 m (2.30 ft); 1.3 m (4.27 ft)
DORI Distance	3.6mm: 58.9 m (Detect) 23.6 m (Observe) 11.8 m (Recognize) 5.9 m (Identify) 2.8mm: 43.9m (Detect) 17.5m (Observe) 8.8m (Recognize) 4.4m (Identify)
White Balance	Auto/natural/street lamp/outdoor/manual/regional custom
Back Light Compensation	BLC/ HLC/ DWDR
Video Compression	Smart H.264+; H.265; H.264; H.264H; H.264B; MJPEG (Only supported by the sub stream)
Encode Strategy	Instastream
Stream Capability	2 Streams
Pan, Tilt, Rotation	Pan: 0°–360° Tilt: 0°–90° Rotation: 0°–360°
Angle of View	H: 107°; V: 56°; D: 127°; H: 88°; V: 44°; D: 105°
S/N Ratio	>56 dB
Resolution	1080p (1920 × 1080); 1.3M (1280 × 960); 720p (1280 × 720); D1 (704 × 576/704 × 480); VGA (640 × 480); CIF (352 × 288/352 × 240)

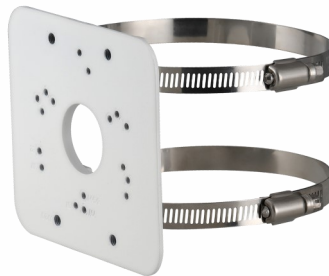
Feature	Specification
Frame Rate	Main stream: 1920 × 1080@1–25/30 fps; Sub stream: 704 × 576@1–25 fps; 704 × 480@1–30 fps; *The values above are the max. frame rates of each stream; for multiple streams, the values will be subjected to the total encoding capacity
Noise Reduction	3D NR
Motion detection	OFF/ON (4 areas, rectangular)
Image Rotation	0°/90°/180°/270° (Support 90°/270° with 1080p resolution and lower)
Abnormality detection	Motion detection, video tampering, network disconnection, IP conflict, audio detection and illegal access
Privacy Mask	4 areas
ICR	Color/B/W
ROI	Supported (4 areas)
SDK and API	Supported
Audio Compression	G.711A; G.711Mu; G.726
Built in Mic	Supported
Bit Rate Control	CBR/VBR
Bit Rate	H.264: 32 Kbps–6144 Kbps H.265: 12 Kbps–6400 Kbps
Protocol	IPv4; IPv6; HTTP; TCP; UDP; ARP; RTP; RTSP; RTCP; SMTP; FTP; DHCP; DNS; DDNS; NTP; Multicast; ICMP; IGMP, ONVIF (Profile S); CGI; InstaOn cloud; Genetec
Ethernet	RJ-45 (10/100Base-T)
Alarm Event	Network disconnection; IP conflict; illegal access; motion detection; video tampering; audio detection; security exception
Cyber Security	Configuration encryption; Trusted execution; Digest; Security logs; Trusted upgrade; WSSE; Trusted boot; Account lockout; Generation and importing of X.509 certification; Video encryption
Illumination Distance	Illumination Distance 15 Mtr.
Illumination Control	Auto; Manual
Illumination Number	1 (Warm light)
Storage	FTP
Mirror Functions	Supported
User/Host	6 (Total bandwidth: 36 M)

Feature	Specification
Smart Phone	iOS, Android Phone
Browser	IE; Chrome; Firefox
Operating Temperature	-40 °C to +60 °C (-40 °F to +140 °F)
Storage Temperature	-40 °C to +60 °C (-40 °F to +140 °F)
Humidity	≤95%
Power Source	12V DC/PoE (802.3af)
Power Consumption	Basic power consumption: 1.2 W (12 VDC); 2 W (PoE) Max. power consumption (H.265+Warm light intensity): 4.2 W (12 VDC); 5.4 W (PoE)
Weatherproof Standard	IP67
Dimension	162.6 mm × 70 mm × 70 mm (6.40" × 2.75" × 2.75") (L × W × H)
Casing	Metal + plastic
Weight	0.22 kg

Dimensions (mm/inch)



Accessories : Optional



CP-UA-B2P
Pole Mount

Company Name:

CP PLUS (Aditya Infotech Ltd.)
F-28 Okhla Industrial Area, Phase 1,
New Delhi 110020, INDIA

Contact Mail ID :- customercare@cpplusworld.com