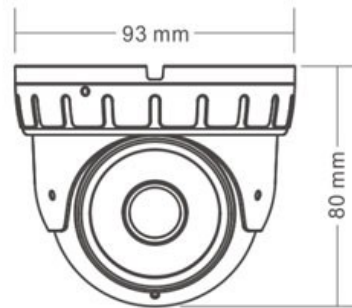
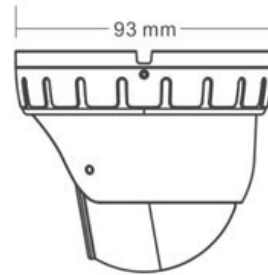


**CP- SNC-D10L1-VD****1MP HD IR Mobile Camera - 10 Mtr.****Main Features**

- 1/3" 1 MP CMOS Image Sensor
- H.264 Video Compression
- Triple Stream Encoding
- 25/30fps@720P
- 2.8mm, 4mm, 6mm, 8mm Optional
- DWDR, Day/Night(ICR), DNR, AWB, BLC & AGC
- IR Range of 10 Mtr., Supports PoE
- IP66 water proof and dust proof(IP65 with audio)



# CP- SNC-D10L1-VD

## 1MP HD IR Mobile Camera - 10 Mtr.

### Feature

Image Sensor  
Minimum Illumination  
Effective Pixels  
Shutter Speed  
White Balance  
Lens  
Gain Control(AGC)  
S/N Ratio  
Video Compression  
Back Light Compensation  
Video Streaming  
Audio Input  
Audio Compression  
WDR  
Bit Rate  
Protocol  
IR  
Operating Temperature  
Humidity  
Power Source  
Power Consumption  
Weatherproof Standard  
Dimension

### Specification

1/3" 1 MP CMOS Image Sensor  
0.05Lux(Color Illumination ), F1.2  
1280(H)x720(V)  
1/25/s ~ 1/10000/s  
Support  
2.8mm, 4mm, 6mm, 8mm Optional  
Support  
≥40db  
H.264  
Support  
Main Stream:720p @ 30fps, Sub Stream 1: VGA @25fps, Sun Stream 2: VGA @ 30fps  
Built in mic  
ADPCM, G.711A / G.711U  
DWDR ≥80db  
768Kbps-6144Kbps  
HTTP, TCP , ARP, RTSP, UDP, RTCP, SMTP,DHCP, DNS , DDNS, PPPoE, IPV4, UPnP,NTP, Onvif  
10 Mtrs.  
-40°C ~ 70°C  
0% - 90%  
PON(DC12V)/POE(DC48V)  
<2w (Day) <4w (Night)  
IP66 (IP65 with audio)  
93mm(L) x 90mm(W) x 80mm(H)