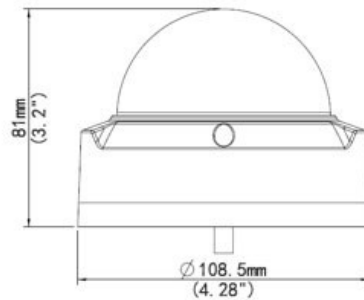
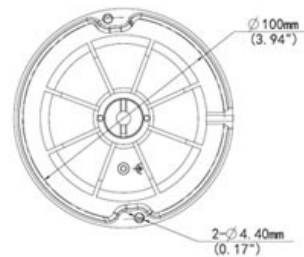


**CP- VNC-V51R3-VMD****5 MP Full HD WDR Array Vandal Dome Camera - 30Mtr.****INDIGO****Main Features**

- 1/2.7" 5MP PS CMOS Image Sensor
- 5MP(2592 x 1944): Max. 20 fps, 4MP(2560 x 1440): Max. 30 fps
- Ultra 265,H.265, H.264, MJPEG Triple-stream Encoding
- WDR(120dB), Day/Night (ICR), 2D/3D-DNR,Corridor mode, ROI, Digital defog, AWB, AGC, BLC, HLC
- 2.8mm lens (3.6mm optional)
- Array Range of 30 Mtrs, Smart IR, IP67, IK10, PoE
- Supports Instastream technology, save disk space and bandwidth upto 70%
- Mobile Software: Android, iOS
- CMS Software: IVMS

**InstaStream****CE FC** **RoHS COMPLIANT**

# CP- VNC-V51R3-VMD

**5 MP Full HD WDR Array Vandal Dome Camera - 30Mtr.**



## Feature

Image Sensor  
 Minimum Illumination  
 Shutter Speed  
 White Balance  
 Lens  
 Gain Control (AGC)  
 Video Compression  
 Angle of View  
 Back Light Compensation  
 Video Streaming  
 Resolution  
 Frame Rate  
 Motion detection  
 Privacy Mask  
 ICR  
 ROI  
 Audio Input  
 Audio Output  
 Audio Compression  
 Alarm IN  
 Alarm Out  
 Protocol  
 Smart Detection  
 Ethernet  
 General Function  
 IR  
 OSD

## Specification

1/2.7" 5MP Progressive scan CMOS  
 Colour: 0.005Lux (F1.6, AGC ON) 0 Lux with IR  
 Auto/Manual, 1/6~1/100000 s  
 Auto/Manual  
 2.8mm (3.6mm Optional)  
 Auto/Manual  
 Ultra 265,H.265, H.264, MJPEG  
 105.75° / 86.9°  
 BLC / HLC / WDR(120dB)  
 Triple  
 2592 x 1944  
 Main Stream: 5MP: Max. 20 fps, 5MP: Max. 25fps(WDR OFF), 4MP: Max. 30fps, 3MP: Max. 30fps, 2MP: Max. 30fps , Sub Stream: 2MP: Max. 30fps, Third Stream: D1: Max.30fps  
 Up to 4 areas  
 Up to 8 areas  
 IR-cut filter with auto switch (ICR)  
 Up to 8 areas  
 2 Ch. : impedance 35 kΩ; amplitude 2 V [p-p]  
 1 Ch. : impedance 600 Ω; amplitude 2 V [p-p]  
 G.711  
 1 Ch.  
 1 Ch.  
 IPv4, IGMP, ICMP, ARP, TCP, UDP, DHCP, PPPoE, RTP, RTSP, RTCP, DNS, DDNS, NTP, FTP, UPnP, HTTP, HTTPS, SMTP, 802.1x, SNMP, ONVIF (Profile S), API  
 Intrusion, cross line, motion detection, Audio detection, Face detection, Defocus, Scene Change, People counting  
 10M/100M Base-TX Ethernet  
 Watermark, IP Address Filtering, Tampering Alarm, Alarm input, Alarm output, Access Policy, ARP Protection, RTSP Authentication, User Authentication  
 Array Range of 30 Mtr., Smart IR  
 Up to 8 OSDs

**CP- VNC-V51R3-VMD****5 MP Full HD WDR Array Vandal Dome Camera - 30Mtr.****Feature**

Micro SD  
Audio  
Operating Temperature  
Humidity  
Power Source  
Power Consumption  
Weatherproof Standard  
Dimension  
Weight

**Specification**

Micro SD, up to 128 GB  
Two way Supported  
-35°C ~ +60°C (-31°F ~ 140°F)  
10%~95% RH (non-condensing)  
12 V DC±25%, PoE (IEEE802.3 af)  
Max 5.5W  
IP67 & IK10  
Φ108.5mm x 81mm (Ø4.28" x 3.2")  
0.45 kg