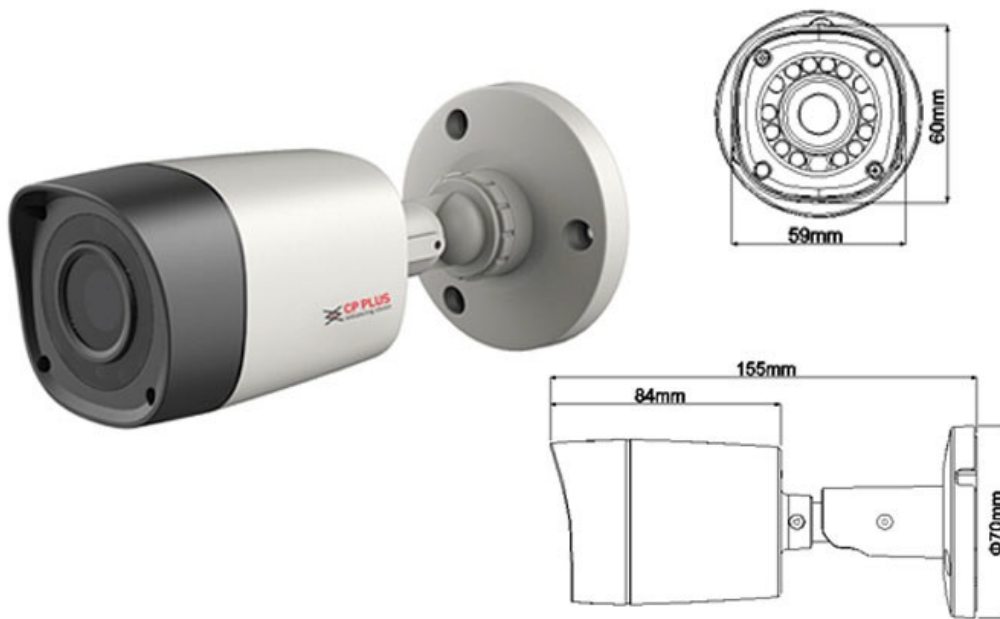


CP- UVC-T1200ML2

2 MP HDCVI IR Bullet Camera - 20Mtr.

CP PLUS
CORAL



Main Features

- 1/2.7" 2 MP HQIS Pro Image Sensor
- Max 25/30fps@1080P
- Day/Night(ICR), AWB, AGC, BLC, 2D-DNR
- 3.6mm fixed lens (6mm optional)
- IR Range of 20 Mtrs.
- High speed, long distance real-time transmission, IP66



CP- UVC-T1200ML2

2 MP HDCVI IR Bullet Camera - 20Mtr.



Feature

Image Sensor
Minimum Illumination
Shutter Speed
Lens
Video Streaming
Video Output
ICR
IR
Transmission Distance
Operating Temperature
Power Source
Power Consumption
Weatherproof Standard
Dimension
Weight

Specification

1/2.7" 2Megapixel HQIS Pro
0.01 Lux@F1.2 (AGC ON),0 Lux (IR on)
1/50s~1/100,000s
3.6mm (6mm optional)
1080P@25 fps
1-channel BNC HDCVI high definition video output
Auto(ICR)/Color/B/W
IR Range of 20 Mtr.
Over 300m via 75-3 coaxial cable
-30°C~+60°C/ Less than 95%RH (no condensation)
DC12V±10%
Max 2W
IP66
Φ70mm × 155mm
300g