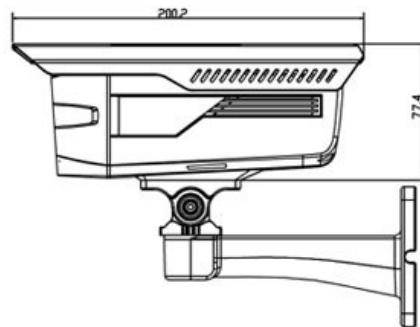
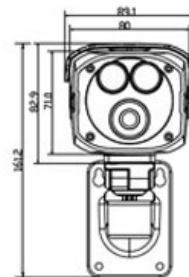


# CP- UVC-T1100R5

1 MP HDCVI Array Bullet Camera - 50Mtr.



## Main Features

- 1/2.9" 1 MP HQIS Pro Image Sensor
- Max 25/30fps@720P
- Day/Night, AWB, AGC, BLC
- 8mm (3.6 mm, 6mm, 12mm, 16mm optional)
- 2D-DNR, IP66
- Array Range of 50 Mtrs.



# CP- UVC-T1100R5

1 MP HDCVI Array Bullet Camera - 50Mtr.

## Feature

Image Sensor  
Minimum Illumination  
Shutter Speed  
Lens  
Video Streaming  
Video Output  
ICR  
IR  
Operating Temperature  
Power Source  
Power Consumption  
Weatherproof Standard  
Dimension  
Weight

## Specification

1/2.9" 1Megapixel HQIS Pro  
0.01 Lux@F1.2 (AGC ON),0 Lux (IR on)  
1/50s~1/100,000s  
8mm (3.6 mm, 6mm, 12mm, 16mm optional)  
720P@25 fps  
1-channel BNC HDCVI high definition video output  
Auto(ICR)/Color/B/W  
Array Range of 50 Mtr.  
-30°C~+60°C/ Less than 95%RH (no condensation)  
DC12V±10%  
Max 7W  
IP66  
Φ200.2mm x 89.1mm x 161.2mm  
0.58Kg