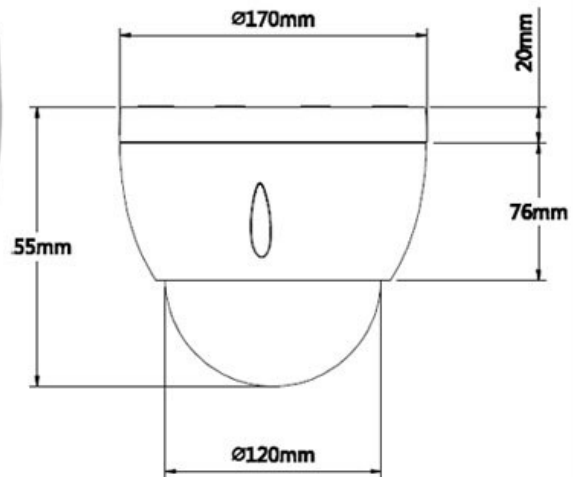
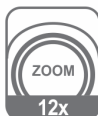


CP- UNP-4212T**2MP Full HD IP PTZ Camera****Main Features**

- 1/3" CMOS Image Sensor
- Powerful 12x Optical & 16x Digital zoom
- Max 25/30fps@1080P Resolution
- DWDR, Day/Night(ICR), DNR (2D, 3D)
- Up to 255 Presets, 8 Tour, 5 Pattern, 5 Auto scan
- Pan range: 360° endless, speed up to 300°/s
- Supports PoE, IP66
- Mobile Software: iCMOB, gCMOB
- CMS Software: KVMS Pro, vOptimus Pro



CP-UNP-4212T

2MP Full HD IP PTZ Camera

Feature

Image Sensor
 Effective Pixels
 Horizontal Resolution
 Video Output
 S/N Ratio
 Minimum Illumination
 Focal Length
 Focus Control
 White Balance
 Close Focus Distance
 Angle of View
 Electronic Shutter
 AGC control
 Back Light Compensation
 Optical Zoom
 Digital Zoom
 Pan Travel
 Tilt Travel
 Presets
 Special Features
 Privacy Masking
 Power up Action
 Time Task
 Idle Motion
 Day/Night: IR Cut Filter
 Video Compression
 Video Streaming
 Audio Compression
 Audio Streaming

 Protocols

Specification

1/3" CMOS
 1944(H) x 1092(V), 2 Megapixels
 >1000TVL
 BNC(1.0Vp-p/75Ω), PAL / NTSC
 More than 55dB
 Color: 0.05Lux@F1.6, B/W: 0.005Lux@F1.6
 5.1mm ~ 61.2mm
 Auto / Manual
 Auto, ATW, Indoor, Outdoor, Manual
 100mm ~ 1000mm
 H: 51.3° ~ 4.64°
 1/3 ~ 1/30,000s
 Auto / Manual
 BLC / HLC / DWDR
 12x
 16x
 360° endless, Pan Speed: 0.1° ~ 300°/sec
 -2° ~ 90°, Tilt Speed: 0.1° ~ 120°/sec, auto flip 180°
 255
 Up to 255 Presets, 8 Tour, 5 Pattern, 5 Auto scan
 Up to 24 areas
 Auto restore to previous PTZ and lens status after power failure
 Auto activation of Preset/Pan/Scan/Tour/Pattern by presettime
 Activate Preset/Pan/Scan/Tour/Pattern if there is no command in the specified period
 Auto(ICR) / Color / B/W
 H.264 / MJPEG
 Main Stream: 25/30fps@1080P/720P, Sub Stream: 25/30fps@D1/CIF
 G.711a / G.711u (32kbps) / PCM (128kbps)
 1/1 channel In/Out

 IPv4/IPv6, HTTP, HTTPS, SSL, TCP/IP, UDP, UPnP, ICMP, IGMP, SNMP, RTSP, RTP, SMTP, NTP, DHCP, DNS, PPPoE, DDNS, FTP, IP Filter, QoS, Bonjour, ONVIF Profile S

CP- UNP-4212T**2MP Full HD IP PTZ Camera****Feature**

Alarm
Max Remote Users
Smart Phone
Operating Temperature
Memory Slot
Weather Proof Standard
Dimension
Weight
Power Source
Power Consumption

Specification

2/1 channel In/Out
20 users
iPhone, iPad, Android, Windows Phone
-10°C ~ 60°C / Less than 90% RH
Micro SD, Max 64GB
IP66 & IK10 (optional)
Φ170mm×155mm
1.8Kg
AC24V/1.5A (±10%), POE+(802.3at)
12W