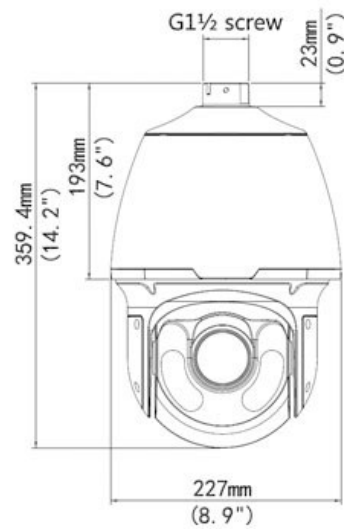


## CP- VNP-2021L15

2MP 20x Full HD Network IR PTZ Camera - 150 Mtr.

INDIGO



### Main Features

- 1/3" 2MP, Progressive scan, CMOS
- Powerful 20x Optical Zoom
- H.265, H.264, MJPEG Triple Stream Encoding
- DWDR, Day/Night (ICR), AWB, AGC, BLC, HLC
- Third Generation Infrared Technology
- Up to 256 Presets, 16 patrol, 16 Pattern
- Max 240°/s pan speed, 360° endless pan rotation
- IR Range of 150 Mtr., IP66, Micro SD, PoE
- Built-in 1/1 alarm in/out
- Supports Instastream technology, save disk space and bandwidth upto 70%
- Mobile Software: Android, iOS
- CMS Software: IVMS



Instastream

CE FCC

RoHS COMPLIANT

# CP- VNP-2021L15

## 2MP 20x Full HD Network IR PTZ Camera - 150 Mtr.



### Feature

Image Sensor  
Effective Pixels  
S/N Ratio  
Minimum Illumination  
Focal Length  
Focus Control  
White Balance  
Iris Control  
Angle of View  
Electronic Shutter  
AGC control  
Optical Zoom  
Digital Zoom  
Pan Travel  
Tilt Travel  
Presets  
Preset Speed  
Privacy Masking  
Special Features  
Wide Dynamic Range  
Day/Night: IR Cut Filter  
Video Compression  
Video Streaming  
Audio Compression  
Audio Streaming  
IVS  
Networking  
Protocols  
Alarm  
Memory Slot  
Operating Temperature

### Specification

1/3" 2MP PS CMOS  
1920(H) x 1080(V)  
>52dB  
Colour: 0.03 lux (F1.5, AGC ON) 0 lux with IR  
5.2 ~ 104 mm  
Auto / Manual  
Auto / Manual  
Auto/Manual; F1.5 ~ F3.0  
61.9° (wide) ~ 3.5° (tele)  
Auto/Manual; shutter time: 1/6 s ~ 1/100000 s  
Auto / Manual  
20x  
Supports  
360° endless, Pan Speed: 0.1°/s ~ 240°/s  
-15° ~ 90°, Tilt Speed: 0.1° ~ 160°/sec  
256  
Pan: 300° /s; Tilt: 240° /s  
Up to 8 areas  
IR Range upto 150m, Up to 256 Presets, 16 Patrol, 16 Pattern  
DWDR  
IR-cut filter with auto switch (ICR)  
H.265, H.264,MJPEG  
1080P (1920×1080):Max.30 fps , 720P (1280×720):Max.30 fps , D1 (720×576):Max.30 fps  
G.711a  
Two way Talk Supported  
Intrusion, crossing line, Motion detection, Audio detection, Face detection, People counting  
10M/100M Base-TX Ethernet  
IPv4, IGMP, ICMP, ARP, TCP, L2TP, UDP, DHCP, PPPoE, RTP, RTSP, RTCP, DNS, DDNS, NTP, FTP, UPnP, HTTP, HTTPS, SMTP 802.1x, ONVIF, API  
1 In/1 Out  
Micro SD, up to 128 GB  
-40°C ~ +65°C (-40°F ~ 149°F), Humidity ≤ 95% RH (non-condensing)



 **CP- VNP-2021L15**

**2MP 20x Full HD Network IR PTZ Camera - 150 Mtr.**

**Feature**

Weather Proof Standard

Dimension

Weight

Power Source

Power Consumption

**Specification**

IP66

Ø227 x 359.4 mm (Ø8.9" x 14.2")

5.28kg

24 V AC, 24 V DC, PoE (PSE Required)

9 ~ 42W