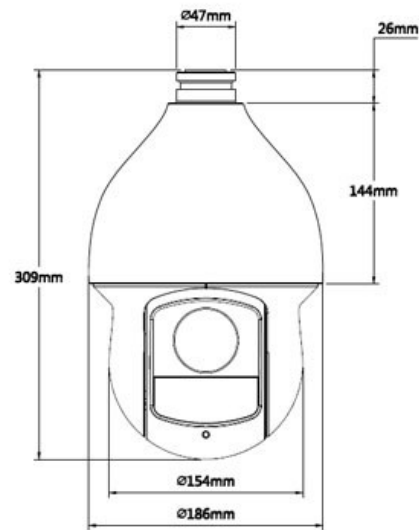


**CP- UNP-E3021L15-DAP****2 MP 1080P IR IP PTZ Camera****Main Features**

- 1/2.8" 2MP Exmor R CMOS Image sensor
- Max. 50/60fps@1080P, 25/30/50/60fps@720P
- Powerful 30x Optical and 16x Digital zoom
- WDR(120dB), 3D DNR, Day/Night (ICR), BLC, HLC
- Up to 300 presets, 8 auto scan, 8 tour, 5 pattern, 8 auto pan
- IR Range of 150 Mtr. , IP66, Support PoE Plus
- Max 300° /s pan speed, 360° endless pan rotation
- Built-in 2/1 alarm in/out
- Mobile Software: iCMOB, gCMOB
- CMS Software: KVMS Pro, vOptimus Pro



# CP- UNP-E3021L15-DAP

## 2 MP 1080P IR IP PTZ Camera



### Feature

Image Sensor  
Effective Pixels  
S/N Ratio  
Minimum Illumination  
Focal Length  
Focus Control  
White Balance  
Close Focus Distance  
Angle of View  
Electronic Shutter  
AGC control  
Back Light Compensation  
Optical Zoom  
Digital Zoom  
Pan Travel  
Tilt Travel  
Manual Speed  
Presets  
Preset Speed  
Privacy Masking  
Special Features  
Power up Action  
Idle Motion  
Day/Night: IR Cut Filter  
Video Compression  
Video Streaming  
Audio Compression  
Audio Streaming  
IVS  
Networking

### Specification

1/2.8" Exmor R CMOS  
1920(H) x 1080(V), 2 Megapixels  
More than 55dB  
Color: 0.005Lux@F1.6; 0Lux@F1.6 (IR on)  
4.5mm~135mm  
Auto / Manual  
Auto, ATW, Indoor, Outdoor, Manual  
100mm~ 1000mm  
H: 67.8° ~ 2.4°  
1/1s~1/300,000s  
Auto / Manual  
BLC / HLC / WDR(120dB)  
30x  
16x  
0°~360° endless, Pan Speed: 0.1° ~ 300°/sec  
-15° ~ 90° auto flip 180°, Tilt Speed: 0.1° ~200°/sec  
Pan: 0.1° ~300° /s; Tilt: 0.1° ~200° /s  
300  
Pan: 400° /s; Tilt: 300° /s  
Up to 24 areas  
IR Range upto 150m, Up to 300 Presets, 5 Pattern, 8 Tour, 8 Auto Pan ,8 Auto Scan  
Auto restore to previous PTZ and lens status after power failure  
Activate Preset/ Scan/ Tour/ Pattern if there is no command in the specified period  
Auto (ICR) / Color / B/W  
H.265/H.264 / MJPEG  
Main stream: 1080P/720P(1 ~ 50/60fps), 1.3M(1 ~ 25/30fps), Sub stream1: D1/CIF(1 ~ 25/30fps), Sub stream2: 1080P/1.3M/720P/D1/ CIF (1 ~ 25/30fps)  
G.711a/G.711Mu/AAC/G.722 / G.726/G.729  
1/1 channel In/Out  
Tripwire, Intrusion, Abandoned/Missing, Face Detection  
RJ-45 (10/100Base-T)



# CP- UNP-E3021L15-DAP

## 2 MP 1080P IR IP PTZ Camera



### Feature

Motion Detection

Protocols

Alarm

Max Remote Users

Operating Temperature

Smart Phone

Memory Slot

Weather Proof Standard

Dimension

Weight

Power Source

Power Consumption

### Specification

Supports

IPv4/IPv6,HTTP,HTTPS,SSL,TCP/IP, UDP, UPnP, ICMP,IGMP,SNMP,RTSP,RTP, SMTP, NTP,DHCP, DNS,PPPOE,DDNS,FTP, IP Filter,QoS,Bonjour,802.1x, ONVIF, PSIA, CGI

2/1 channel In/Out

20 users

-40°C ~ 70°C / Less than 90% RH

iPhone, iPad, Android Phone

Upto 128GB

IP66

Φ186.0(mm) x 309(mm)

3.5kg

AC24V/3A(±10%), PoE+(802.3at)

13W,23W (IR on)