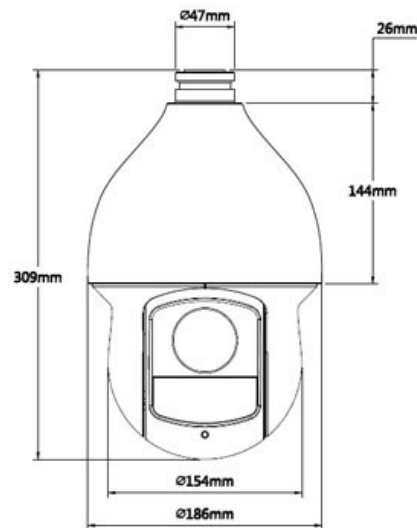
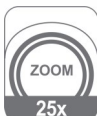


CP- UVP-E2520L15-D**2 MP 1080P HDCVI IR PTZ Dome Camera****Main Features**

- 1/2.8" Exmor HQIS Pro Image sensor
- Max. 25/30fps@1080P, 25/30/50/60fps@720P
- Powerful 25x Optical and 16x Digital zoom
- WDR(120dB), 3D DNR
- Up to 300 presets, 5 auto scan, 8 tour, 5 pattern
- IR Range of 150 Mtr.
- Max 400°/s pan speed, 360° endless pan rotation
- Built-in 2/1 alarm in/out, IP66



CP- UVP-E2520L15-D

2 MP 1080P HDCVI IR PTZ Dome Camera



Feature

Image Sensor
Effective Pixels
Video Output
S/N Ratio
Minimum Illumination
Focal Length
Focus Control
White Balance
Close Focus Distance
Angle of View
Electronic Shutter
AGC control
Back Light Compensation
Optical Zoom
Digital Zoom
Pan Travel
Tilt Travel
Presets
Preset Speed
Special Features
Privacy Masking
Power up Action
Time Task
Idle Motion
Day/Night: IR Cut Filter
Audio Streaming
Networking
Protocols
Alarm
Operating Temperature
Weather Proof Standard
Dimension

Specification

1/2.8" Exmor HQIS Pro
1920(H) x 1080(V)
1-channel BNC HDCVI high definition video output/ CVBS standard definition video output
More than 50dB
Color: 0.005Lux@F1.6; 0Lux@F1.6 (IR on)
4.8mm~120mm (25x Optical zoom)
Auto / Manual
Auto, ATW, Indoor, Outdoor, Manual
100mm~ 1000mm
H: 59.2° ~ 2.4°
1/1 ~ 1/30,000s
Auto / Manual
BLC / HLC / WDR(120dB)
25x
16x
0°~360° endless, Pan Speed: 0.1° ~ 300°/sec
-15° ~ 90° auto flip 180°, Tilt Speed: 0.1° ~200°/sec
300
Pan: 400° /s; Tilt: 300° /s
IR Range upto 100m, Up to 300 Presets, 8 Tour, 5 Pattern, Auto scan, Auto Pan
Up to 24 areas
Auto restore to previous PTZ and lens status after power failure
Auto activation of Prese/Pan/Scan/Tour/Pattern by presettime
Activate Preset/ Pan/ Scan/ Tour/ Pattern if there is no command in the specified period
Auto(ICR) / Color / B/W
1 channel In
1 RS485
Pelco-P/D (Auto recognition)
2/1 channel In/Out
-40°C ~ 70°C / Less than 90% RH
IP66
Φ186.0(mm) x 309(mm)

 **CP- UVP-E2520L15-D****2 MP 1080P HDCVI IR PTZ Dome Camera****Feature**

Weight

Power Source

Power Consumption

Specification

3.5kg

AC24V/3A ($\pm 10\%$)

13W,23W (IR on)