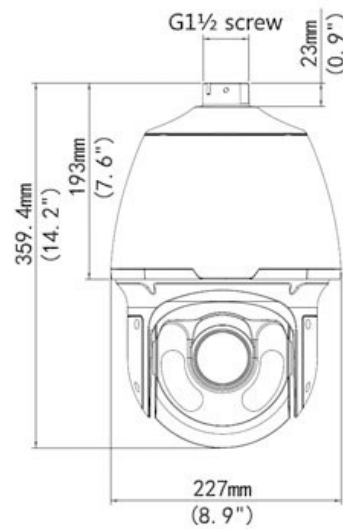


**CP- VNP-2021L15****2MP 20x Full HD Network IR PTZ Camera - 150 Mtr.****INDIGO****Main Features**

- 1/2.8" 2MP, Progressive scan, CMOS
- Powerful 20x Optical Zoom
- DWDR, Day/Night (ICR), 2D/3D-DNR, AWB, AGC, BLC, HLC
- Third Generation Infrared Technology
- Up to 1024 Presets, 16 patrol, 16 Pattern
- Max 240°/s pan speed, 360° endless pan rotation
- IR Range of 150Mtr., IP66, Micro SD, PoE
- Built-in 1/1 alarm in/out
- Supports Instastream technology, save disk space and bandwidth upto 70%
- Mobile Software: Android, iOS
- CMS Software: IVMS

**Instastream****CE FC****RoHS  
COMPLIANT**

**CP- VNP-2021L15****2MP 20x Full HD Network IR PTZ Camera - 150 Mtr.****Feature**

Image Sensor  
Effective Pixels  
S/N Ratio  
Minimum Illumination  
Focal Length  
Focus Control  
White Balance  
Back Light Comp  
Iris Control  
Angle of View  
Electronic Shutter  
AGC control  
Optical Zoom  
Digital Zoom  
OSD  
Privacy Mask  
Pan Travel  
Tilt Travel  
Presets  
Preset Speed  
Privacy Masking  
Special Features  
Day/Night: IR Cut Filter  
Video Compression  
Frame Rate  
Audio Compression  
Audio Streaming  
Audio In  
Audio Out  
IVS  
Networking

**Specification**

1/2.8" 2MP PS CMOS  
1920(H) x 1080(V)  
>52dB  
Colour: 0.001 lux (F1.5, AGC ON) 0 lux with IR  
5.2 ~ 104 mm  
Auto / Manual  
Auto / Manual  
BLC / HLC / DWDR  
Auto/Manual; F1.5 ~ F3.0  
61.9° (wide) ~ 3.5° (tele)  
Auto/Manual; shutter time: 1/6 s ~ 1/100000 s  
Auto / Manual  
20x  
Supports  
Up to 8 OSDs  
Up to 8 areas  
360° endless, Pan Speed: 0.1°/s ~ 240°/s  
-15° ~ 90°, Tilt Speed: 0.1° ~ 160°/sec  
1024  
Pan: 300° /s; Tilt: 240° /s  
Up to 8 areas  
IR Range upto 150m , 16 Patrol, 16 Pattern  
IR-cut filter with auto switch (ICR)  
Ultra H.265, H.265, H.264, MJPEG  
1080P (1920×1080):Max.30 fps , 720P (1280×720):Max.30 fps , D1 (720×576):Max.30 fps  
G.711  
Two way Talk Supported  
1 Ch. impedance 35 kΩ; amplitude 2 V [p-p]  
1 Ch. impedance 600 Ω; amplitude 2 V [p-p]  
Intrusion, crossing line, Motion detection, Audio detection, Face detection, People counting  
10M/100M Base-TX Ethernet

**CP- VNP-2021L15****2MP 20x Full HD Network IR PTZ Camera - 150 Mtr.****Feature**

Protocols

Alarm

Memory Slot

Operating Temperature

Weather Proof Standard

Dimension

Weight

Power Source

Power Consumption

**Specification**

IPv4, IGMP, ICMP, ARP, TCP, L2TP, UDP, DHCP, PPPoE, RTP, RTSP, RTCP, DNS, DDNS, NTP, FTP, UPnP, HTTP, HTTPS, SMTP 802.1x, ONVIF, API

1 In/1 Out

Micro SD, up to 128 GB

-40°C ~ +65°C (-40°F ~ 149°F), Humidity ≤ 95% RH (non-condensing)

IP66

Ø227 x 359.4 mm (Ø8.9" x 14.2")

5.28kg

24 V AC, 24 V DC, PoE (PSE Required)

9 ~ 42W