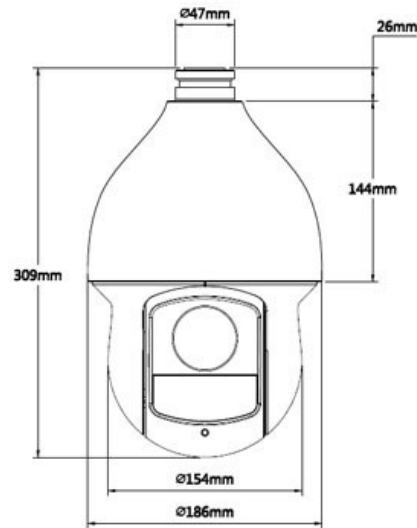


CP- UNP-E2521L15-DAP**2 MP WDR 25x IR Network PTZ Camera****Main Features**

- 1/2.8" 2MP PS CMOS Image sensor
- Max. 50/60fps@1080P, 25/30/50/60fps@720P
- Powerful 25x Optical and 16x Digital zoom
- WDR(120dB), 3D DNR, Day/Night (ICR), EIS, Defog, ROI, BLC, HLC
- Support Starlight Function
- Up to 300 Presets, auto scan, 8 tour, 5 pattern, auto pan
- IR Range of 150 Mtr. , IP66, Support PoE+
- Max 400° /s pan speed, 360° endless pan rotation
- Built-in 2/1 alarm in/out
- Mobile Software: iCMOB, gCMOB
- CMS Software: KVMS Pro



CP- UNP-E2521L15-DAP

2 MP WDR 25x IR Network PTZ Camera



Feature

Image Sensor
 Effective Pixels
 S/N Ratio
 Minimum Illumination
 Focal Length
 White Balance
 Focus Control
 Close Focus Distance
 Angle of View
 Electronic Shutter
 AGC control
 Back Light Compensation
 Optical Zoom
 Digital Zoom
 Pan Travel
 Tilt Travel
 Manual Speed
 Presets
 Preset Speed
 Special Features
 Privacy Masking
 Power up Action
 Idle Motion
 Day/Night: IR Cut Filter
 Video Compression
 Video Streaming
 Audio Compression
 Motion Detection
 ROI
 Audio Streaming
 Auto Tracking

Specification

1/2.8" PS CMOS
 1920(H) x 1080(V), 2 Megapixels
 More than 55dB
 Color: 0.005Lux@F1.6; 0Lux@F1.6 (IR on)
 4.8mm~120mm
 Auto, ATW, Indoor, Outdoor, Manual
 Auto / Manual
 100mm~ 1000mm
 H: 59.2° ~ 2.4°
 1/1s~1/30,000s
 Auto / Manual
 BLC / HLC / WDR(120dB)
 25x
 16x
 0°~360° endless, Pan Speed: 0.1° ~ 300°/sec
 -15° ~ 90° auto flip 180°, Tilt Speed: 0.1° ~200°/sec
 Pan: 0.1° ~300° /s; Tilt: 0.1° ~200° /s
 300
 Pan: 400° /s; Tilt: 300° /s
 Defog, IR Range upto 150m, Up to 300 Presets, 5 Pattern, 8 Tour, Auto Pan , Auto Scan
 Up to 24 areas
 Auto restore to previous PTZ and lens status after power failure
 Activate Preset/ Scan/ Tour/ Pattern if there is no command in the specified period
 Auto (ICR) / Color / B/W
 H.265+/H.265/H.264+/H.264
 Main stream: 1080P/720P/1.3M(1 ~ 50/60fps) , Sub stream1: D1/CIF(1 ~ 25/30fps) , Sub stream2: 1080P/1.3M/720P/D1/ CIF (1 ~ 25/30fps)
 G.711a/G.711Mu/AAC/G.722 / G.726/G.729/ MPEG2-L2
 Supports
 Supports
 1/1 channel In/Out
 Supports



CP- UNP-E2521L15-DAP**2 MP WDR 25x IR Network PTZ Camera****Feature**

IVS

Networking

Protocols

Alarm

Max Remote Users

Operating Temperature

Smart Phone

Memory Slot

Weather Proof Standard

Dimension

Weight

Power Source

Power Consumption

Specification

Tripwire, Intrusion, Abandoned/Missing, Face Detection

RJ-45 (10Base-T/100Base-TX)

IPv4/IPv6, HTTP, HTTPS, SSL, TCP/IP, UDP, UPnP, ICMP, IGMP, SNMP, RTSP, RTP, SMTP, NTP, DHCP, DNS, PPPOE, DDNS, FTP, IP Filter, QoS, Bonjour, 802.1x, ONVIF, PSIA, CGI

2/1 channel In/Out

20 users

-40°C ~ 70°C / Less than 90% RH

iPhone, iPad, Android Phone

Micro SD Card Up to 128GB

IP66

Φ186.0(mm) x 309(mm)

3.5kg

AC24V/3A(±10%), PoE+(802.3at)

13W, 23W (IR on)