

# CP-UNC-VC41L5C-VMDS-V2

## 4MP Network IR Vandal Dome Camera - 50Mtr.

- 1/3" 4MP PS CMOS Image Sensor(0.84667Cm)
- Max. Outputs 4 MP (2688 × 1520) @25/30 fps
- AI instastream, instastream, SMART H.264 , H.265, H.264 encoding
- WDR(120dB), Day/Night(ICR), 3D-DNR, ROI, AWB, AGC, BLC, HLC
- 3.6 mm Fixed Lens(2.8 mm; 6 mm Optional)
- IR Range of 50 Mtrs
- Support Starlight Technology
- Built in Mic, Micro SD, IP67, IK10, SMD 4.0
- Mobile Software: iCMOB, gCMOB
- CMS Software: KVMS Pro



### System Overview

This camera is ideal for places which suffer from faltering lighting conditions as the starlight solution along with the full-colour technology in this camera illuminates the scene perfectly to present to you a clear and vivid image. This series is supported by intelligent functions that use AI-based deep learning algorithms which enable effective perimeter protection and smart motion detection for easier surveillance.

### Functions

#### Starlight Technology

This camera is widely used to provide sharper and clearer picture quality with the help of its exceptional starlight sensitivity as the camera improves night vision in low light conditions. This technology is useful in conditions with extremely low light as the starlight technology turns almost completely dark images into those of clear colors.



# CP-UNC-VC41L5C-VMDS-V2

## 4MP Network IR Vandal Dome Camera - 50Mtr.

### Functions

#### Wide Dynamic Range (WDR)

When a scene is partly dark and partly bright, that is the dynamic range that distorts images due to this difference in the lighting. WDR technology provides you balanced lighting for a clear and vivid image throughout the day. WDR technology can be installed at entry/exit points of any building structure, jewelry shops, outdoor location among so many other place.

#### Smart Motion Detection

CPPLUS has introduced Smart Motion Detection, AI-based SMD, which use an advanced algorithm to differentiate human and vehicular shapes within a scene and send alarms only when a person or vehicle is detected.

#### Smart Analytical Support

Using an advanced algorithm, smart analytical technology lets you set a multitude of safety parameters and sends you alerts when any of those parameters have been compromised. Not just when there's an occurrence of tripwire or intrusion.

#### IK10 Technology

This product has been inculcated with the IK10 vandal resistance technology which is the topmost mechanical protection in the surveillance industry. This technology enables your camera in developing a strong and robust appearance that can't be defeated by water, dust or even severe shocks as the powerful housing of this camera deters any damage from occurring.

### About CP PLUS

The brand that is on its way to lead the world when it comes to the security and surveillance industry, CP PLUS, keeps bombarding the market with the most reliable range of products that have been designed carefully and methodically to automate the whole surveillance and security process, no matter how big your premises are.

It was the initiative to help the public in the area where they are the most vulnerable and to empower the sense of safety in our hearts that had conceptualized CP PLUS. And embarking on its mission to make the world a safer and more secure place has taken the brand's journey to unprecedented levels even when compared to international competitors.



# CP-UNC-VC41L5C-VMDS-V2

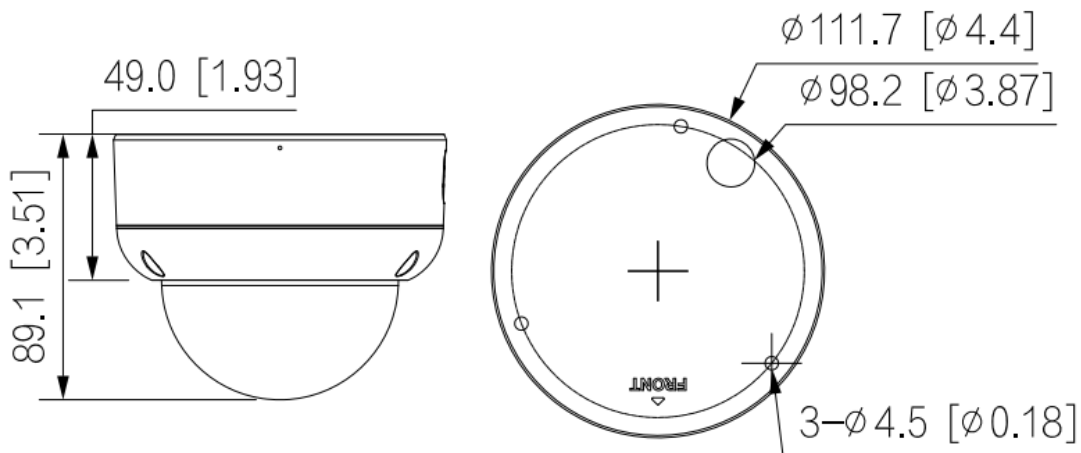
## 4MP Network IR Vandal Dome Camera - 50Mtr.

Feature	Specification
Image Sensor	1/3" 4MP PS CMOS Image Sensor(0.84667Cm)
Effective Pixels	2688(H)x1520(V)
Minimum Illumination	0.005 lux@F1.4 (Color, 30 IRE) 0.0005 lux@F1.4 (B/W, 30 IRE) 0 lux (Illuminator on)
Shutter Speed	Auto/Manual, 1/3~1/100000s
ROM	128MB
RAM	512MB
Max. Aperture	F1.4
Lens Type	Fixed-focal
Lens	3.6mm Fixed Lens(2.8mm; 6mm Optional Lens)
Lens Mount	M12
Iris Type	Fixed
Gain Control(AGC)	Auto
Close Focus Distance	2.8 mm: 1.1m, 3.6 mm: 1.7m, 6 mm: 3.2m
DORI Distance	3.6mm: 85.4m(Detect) 34.2m(Observe) 17.1m(Recognize) 8.5m(Identify) 2.8mm: 63.6m(Detect) 25.4m(Observe) 12.7m(Recognize) 12.7m(Identify) 6mm: 124m(Detect) 49.6m(Observe) 24.8m(Recognize) 12.4m(Identify)
White Balance	Auto; natural; street lamp; outdoor; manual; regional custom
Back Light Compensation	BLC / HLC / WDR(120dB)
Video Compression	H.265;Smart H.264+; H.264; H.264H; H.264B; MJPEG (only supported by the sub stream)
Encode Strategy	Instastream, AI Instastream
Stream Capability	4 Streams
Pan,Tilt, Rotation	Pan: 0°-355°; Tilt: 0°-80°; Rotation: 0°-355°
Angle of View	2.8 mm: Horizontal:102°; vertical: 54°; diagonal: 121° 3.6 mm: Horizontal:84°; vertical: 42°; diagonal: 101° 6 mm: Horizontal:52°; vertical: 28° ; diagonal: 61°

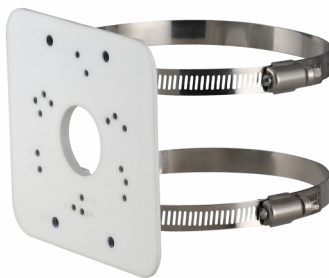
Feature	Specification
Quick Search	With AI NVR, quickly pick up the human/vehicle targets that users are interested in from SMD events
Smart search	Work together with Smart NVR to perform refine intelligent search, event extraction and merging to event videos
S/N Ratio	>56 dB
Resolution	4M (2688 × 1520); 3.6M (2560 × 1440); 3M (2048 × 1536); 3M (2304×1296); 1080p (1920 × 1080); 1.3M (1280 × 960); 720p (1280 × 720); D1 (704 × 576/704 × 480); CIF (352 × 288/352 × 240); VGA (640 × 480)
Frame Rate	Main stream (2688 × 1520@1–25/30 fps) Sub stream (704 × 576@1–25 fps/704 × 480@1–30 fps) Third stream (1280 × 720@1–25/30 fps)
Noise Reduction	3D NR
Motion detection	Off / On (4 Zone, Rectangle)
Abnormality detection	Motion detection, privacy masking, scene changing, audio detection, no SD card, SD card full, SD card error, network disconnection, IP conflict, illegal access, and voltage detection
Privacy Mask	4 Area
ICR	Auto(ICR)/Color/B/W
ROI	Supported (4 Zone)
Defog	Supported
Scene Self-adaptation (SSA)	AI SSA (Scene Self-adaptation)
SDK and API	Supported
Built in Mic	Supported
Audio Input	1 Ch. (3.5 mm JACK port)
Audio Output	1 Ch.(3.5 mm JACK port)
Audio Compression	G.711a; G.711Mu; PCM; G.726; G.723
Alarm IN	1 Ch. in: 5 mA 3–5 VDC
Alarm Out	1 Ch. out: 300 mA 12 VDC
Bit Rate Control	CBR/VBR
Bit Rate	H.264: 3 kbps–8192 kbps H.265: 3 kbps–8192 kbps

Feature	Specification
Protocol	Pv4; IPv6; HTTP;TCP; UDP; ARP; RTP; RTSP; RTCP; RTMP; SMTP; FTP; SFTP; DHCP; DNS; DDNS; QoS; UPnP; NTP; Multicast; ICMP; IGMP; NFS; SAMBA; PPPoE; SNMP; ONVIF (Profile S/Profile G/Profile T); CGI; InstaOn Cloud; Milestone; Genetec
Ethernet	RJ-45 (10/100Base-T)
Event Trigger	No SD card, SD card full, SD card error, network disconnection, IP conflict, illegal access, motion detection, video tampering, tripwire, intrusion, scene changing, audio detection, voltage detection, external alarm, face detection, SMD and security exception
Cyber Security	Video encryption; Firmware encryption; Configuration encryption; Digest; WSSE; Account lock-out; Security logs; IP/MAC filtering; Generation and importing of X.509 certification; syslog; HTTPS; 802.1x; Trusted boot; Trusted execution; Trusted upgrade
Perimeter Protection	Intrusion, tripwire (support the classification and accurate detection of vehicle and human)
Image Rotation	0°/90°/180°/270° (support 90°/270° with 2688×1520 resolution and lower)
SMD	SMD 4.0 (Supported)
IR	IR Range of 50 Mtr.
IR Control	Auto/Manual
IR Number	3 (IR LED)
Mirror Function	Supported
Storage	FTP; SFTP; NAS
Micro SD	Mirco SD card 256GB
User/Host	20 users (Total B/W- 64M)
Browser	IE: IE11 Chrome Firefox
Smart Phone	IOS, Android
Weatherproof Standard	IP67 & IK10
Storage Temperature	-40 °C to +60 °C (-40 °F to 140 °F)
Operating Temperature	-40 °C to +60 °C (-40 °F to 140 °F) /Less than 95% RH
Power Source	12 VDC/PoE (802.3af)
Power Consumption	Basic: 2.8 W (12 VDC); 3.5 W (PoE) Max. (WDR + IR intensity + Intelligence): 7.1 W (12 VDC); 8.3 W (PoE)
Dimension	89.1 mm × Φ111.7 mm (3.5" × Φ4.4")
Casing	Metal
Weight	516 g (1.14 lb)

Dimensions (mm/inch)



Accessories : Optional



**CP-UA-B2P**  
**Pole Mount**

**Company Name:**

CP PLUS (Aditya Infotech Ltd.)  
F-28 Okhla Industrial Area, Phase 1,  
New Delhi 110020, INDIA

Contact Mail ID :- [customercare@cpplusworld.com](mailto:customercare@cpplusworld.com)