

CP-UNC-VB51L3C-MDS

5MP WDR IR Vandal Dome Camera - 30Mtr.

- 1/2.7" 5MP PS CMOS Image Sensor (0.9407cm)
- Max. 5MP (2960 × 1668)@20fps, and supports 2688 × 1520 (2688 × 1520) @25/30fps
- Support Starlight Technology
- Instream, H.265 and H.264+ Dual-stream encoding
- WDR(120dB), Day/Night (ICR), 3D-NR, ROI, AWB, AGC, BLC, HLC
- 3.6mm lens (2.8mm Optional)
- Support Built-in Mic, SMD Plus
- IR Range of 30 Mtrs, IP67, IK10, Micro SD Card, PoE
- Mobile Software: iCMOB, gCMOB
- CMS Software: KVMS Pro



System Overview

This camera is ideal for places which suffer from faltering lighting conditions as the starlight solution along with the full-colour technology in this camera illuminates the scene perfectly to present to you a clear and vivid image. This series is supported by intelligent functions that use AI-based deep learning algorithms which enable effective perimeter protection and smart motion detection for easier surveillance.

Functions

Starlight Technology

This camera is widely used to provide sharper and clearer picture quality with the help of its exceptional starlight sensitivity as the camera improves night vision in low light conditions. This technology is useful in conditions with extremely low light as the starlight technology turns almost completely dark images into those of clear colors.



CP-UNC-VB51L3C-MDS

5MP WDR IR Vandal Dome Camera - 30Mtr.

Functions

Wide Dynamic Range (WDR)

When a scene is partly dark and partly bright, that is the dynamic range that distorts images due to this difference in the lighting. WDR technology provides you balanced lighting for a clear and vivid image throughout the day. WDR technology can be installed at entry/exit points of any building structure, jewelry shops, outdoor location among so many other places.

Instastream

This camera has been designed with the latest and most efficient innovation among the standard video compression designs. Smart encoding algorithms developed by CP PLUS help in saving up to 70% more bandwidth than H.265 along with making it more beneficial for minimizing bandwidth and storage costs. It enhances video coding efficiency while providing high resolution and the rate of frame in the video using Intelligent Region Perception to detect motion in each frame.

Smart Analytical Support

Using an advanced algorithm, smart analytical technology lets you set a multitude of safety parameters and sends you alerts when any of those parameters have been compromised. Not just when there's an occurrence of tripwire or intrusion.

True Day/Night (ICR)

When the scene is too dark, the image is captured by illuminating an infrared light through the camera onto the scene that greatly helps with making the scene visible for the lens. It delivers color images during the day and automatically switches to the monochrome feature as the scene darkens.

Regions of Interest

Regions of Interest (ROI) is a user defined feature that allows the operator to monitor specific areas of a scene while still maintaining overall situational awareness of less important areas.

gCMOB/ iCMOB

Designed to allow users to access and control live streaming from CP PLUS IP Cameras, DVRs/ NVRs and Video Door Phones, the CP PLUS gCMOB/ iCMOB application offers a host of features such as Easy GUI, up to 16 live viewing split-ups; InstaOn cloud support; Playback; digital zoom ins; two-way talk, and more.

About CP PLUS

The brand that is on its way to lead the world when it comes to the security and surveillance industry, CP PLUS, keeps bombarding the market with the most reliable range of products that have been designed carefully and methodically to automate the whole surveillance and security process, no matter how big your premises are.

It was the initiative to help the public in the area where they are the most vulnerable and to empower the sense of safety in our hearts that had conceptualized CP PLUS. And embarking on its mission to make the world a safer and more secure place has taken the brand's journey to unprecedented levels even when compared to international competitors.



CP-UNC-VB51L3C-MDS

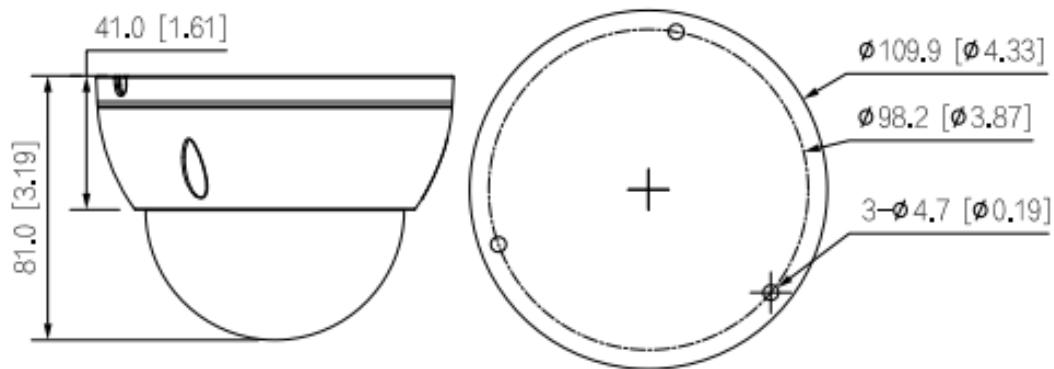
5MP WDR IR Vandal Dome Camera - 30Mtr.

Feature	Specification
Image Sensor	1/2.7" 5MP PS CMOS Image Sensor (0.9407cm)
Minimum Illumination	0.007 Lux@F1.6 (Color, 30 IRE) 0.0007 Lux@F1.6 (B/W, 30 IRE) 0 lux (IR on)
Effective Pixels	2960 (H) × 1668 (V)
Shutter Speed	Auto/Manual 1/3 s–1/100000 s
White Balance	Auto/natural/street lamp/outdoor/manual/regional custom
Lens	3.6mm lens (2.8mm Optional)
Lens Type	Fixed-focal
S/N Ratio	>56dB
Day/Night	Auto(ICR)/Color/B/W
Lens Mount	M12
Max. Aperture	F1.6
DORI Distance	3.6mm– 85.4m (Detect) 34.2m (Observe) 17.1m (Recognize) 8.5m (Identify) 2.8mm– 63.6m (Detect) 25.4m (Observe) 12.7m (Recognize) 6.4m (Identify)
Gain Control (AGC)	Auto/Manual
Video Compression	H.265; H.264; Smart H.264+; H.264H; H.264B; MJPEG (Only supported by the sub stream)
Encode Strategy	Instastream
Noise Reduction	3D-NR
Angle of View	3.6mm: H: 92°; V: 45°; D: 110° ; 2.8mm: H: 111°; V: 58°; D: 132°
Back Light Compensation	BLC / HLC / WDR(120dB)
Video Streaming	Main stream: 2960 × 1668@(1–20 fps)/2688 × 1520@(1–25/30 fps) sub stream: 704 × 576@(1–25 fps)/704 × 480@(1–30 fps) *The values above are the max. frame rates of each stream; for multiple streams, the values will be subjected to the total encoding capacity.
Resolution	5MP (2960 × 1668/2880 × 1620); 4MP (2688 × 1520); 3MP (2048 × 1536/2304 × 1296); 1080p (1920 × 1080); 1.3MP (1280 × 960); 720p (1280 × 720); D1 (704 × 576/704 × 480); VGA (640 × 480); CIF (352 × 288/352 × 240)
Motion detection	OFF/ON (4 areas, rectangular)

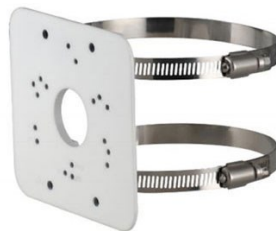
Feature	Specification
Privacy Mask	4 areas
ROI	Support (4 areas)
Audio	Built-in Mic
Audio Compression	G.711a; G.711Mu; G.726; PCM
Video Bit Rate	H.264: 32 kbps–8192 kbps; H.265: 12 kbps–8192 kbps
Bit Rate Control	CBR/VBR
Protocol	IPv4; IPv6; HTTP; TCP; UDP; ARP; RTP; RTSP; RTCP; RTMP; SMTP; FTP; SFTP; DHCP; DNS; DDNS; QoS; UPnP; NTP; Multicast; ICMP; IGMP; NFS; PPPoE; Bonjour; InstaOn cloud; ONVIF (Profile S/Profile G/Profile T); CGI
Smart Detection	Intrusion, tripwire (the two functions support the classification and accurate detection of vehicle and human)
Smart Search	Work together with Smart NVR to perform refine intelligent search, event extraction and merging to event videos
Ethernet	RJ-45 (10/100Base-T)
Smart IR	Support
Alarm Event	No SD card; SD card full; SD card error; network disconnection; IP conflict; illegal access; motion detection; video tampering; tripwire; intrusion; audio detection; voltage detection; SMD; security exception
User/Host	20 (Total bandwidth: 48 Mbps)
SDK and API	Support
Cyber Security	Configuration encryption; trusted execution; Digest; security logs; WSSE; account lockout; syslog; Video encryption; 802.1x; IP/MAC filtering; HTTPS; trusted upgrade; trusted boot; firmware encryption; generation and importing of X.509 certification
Smart Phone	iPhone, iPad, Android Phone
Browser	IE, Chrome, Firefox
Mirror	Support
IR	IR Range of 30 Mtr.
Storage	FTP; SFTP; Micro SD card (support max. 512GB), NAS
Operating Temperature	-40 °C to +60 °C (-40 °F to +140 °F)
Operating Humidity	≤95%
Storage Temperature	-40 °C to +60 °C (-40 °F to +140 °F)

Feature	Specification
Storage Humidity	≤95%
Power Source	12V DC/PoE (802.3af)
Power Consumption	Basic: 2.3 W (12 VDC); 2.9 W (PoE) Max. (H.265+ max. resolution + max. stream+ WDR + IR intensity + IVS): 5 W (12 VDC); 6.1 W
Weatherproof Standard	IP67 & IK10
Casing	Metal
Dimension	81.0 mm × Φ109.9 mm (3.19"× Φ4.33")
Weight	0.34kg

Dimensions (mm/inch)



Accessories : Optional



**CP-UA-B2P
Pole Mount**



**CP-UA-B06DW
Wall Mount**

Company Name:

CP PLUS (Aditya Infotech Ltd.)
F-28 Okhla Industrial Area, Phase 1,
New Delhi 110020, INDIA

Contact Mail ID :- customer@cpplusworld.com

