



Quick Start Guide

CarKam GPS

Model No: CP-AD-H2B-PW



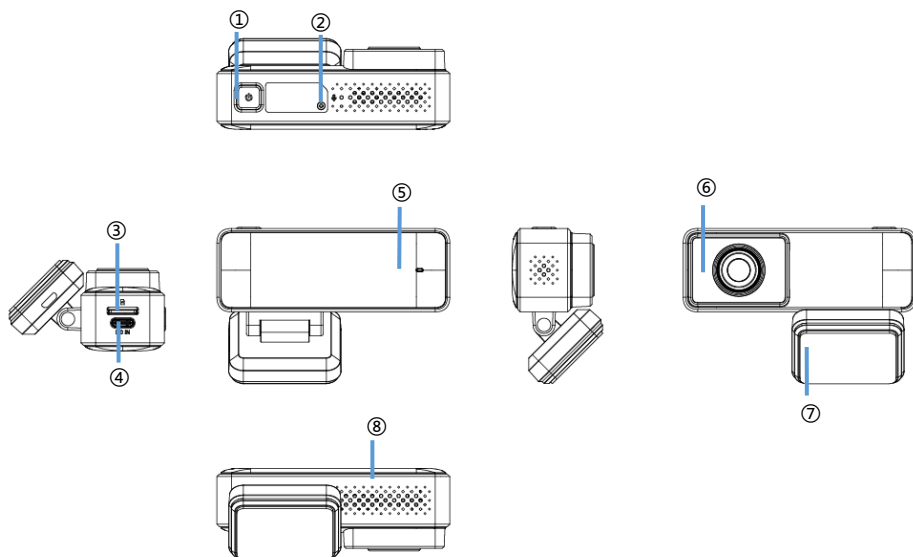
About the Quick Start Guide

This document serves as the user manual for CarKam GPS. Prior to utilizing this product, we strongly advise carefully reading through this document to ensure proper usage.

- a) This document provides instructions on how to use the product, focusing on its default settings, for quick reference.
- b) The content of this document may change due to product software updates and company policies, and partial modifications may occur without prior notification to users.

1.	OVERVIEW OF THE CARKAM GPS	4
1.1	Key Functions	5
1.1	Indicator Light	5
2.	INSTALLATION PROCESS.	6
2.1	SD Card	6
2.2	Electrostatic sticker	6
2.3	Mounting the CarKam GPS	6
2.4	Cable and connect the power supply.	7
2.5	Power On/Off CarKam GPS	8
3.	QUICK ADD ON CARKAM MOBILE APP.	8
3.1	Download App.	8
3.3	Add Carkam.	8
3.4	Wi-Fi hotspot information	8
4.	STORAGE INSTRUCTIONS	9
4.1	SD card usage.	9
4.2	Recording instructions.	9
5.	VIDEO RECORDING	9
5.1	Normal video recording	9
5.2	Emergency video	10
5.3	File storage.	10
6.	POINTS TO NOTE:	11
7.	PRODUCT PERFORMANCE FAILURE TABLE	12
8.	PACKAGE LIST	12

1. Overview of the Carkam GPS



Note: As this product is subject to active development, some functions may differ from those presented in this manual. Please refer to the actual product for accurate information.

- ① Power
- ② Mic hole
- ③ SD card connector
- ④ Micro USB charge connector
- ⑤ Light
- ⑥ Camera lens
- ⑦ Bracket adhesive.
- ⑧ Speaker

1.1 Key Functions

The CarKam GPS has only one key, the power key. Various functions can be accessed by pressing the power key a specific number of times for each function.

Action	Function
Press once	Turn on
Press three times in a row	Format memory card
Press five times in a row	Reset factory settings
Press and hold	Turn the camera off
Press once	Turn Wi-Fi-on/Off

1.1 Indicator Light

The indicator light will blink during the activity when the device is powered on. It will change colors to indicate different operations or activities as follows:

Indicator State	Operation/Activity
Flashing red	Low battery Error recording Power ON Not recording
Flashing blue	Formatting the microSD card Restoring factory settings Updating firmware
Flashing green	Normally recording

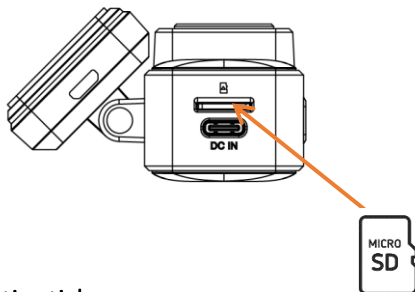
Note: After inserting a compatible microSD card, the CarKam GPS automatically enters the

recording mode each time it is turned on. A Green dot blinks to indicate that the video recording is in progress.

2. Installation process.

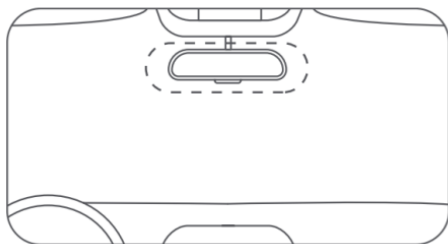
2.1 SD Card

Insert the SD card into the slot with the contact side facing down, Ensure the SD card is fully installed until you hear a (click) sound.



2.2 Electrostatic sticker

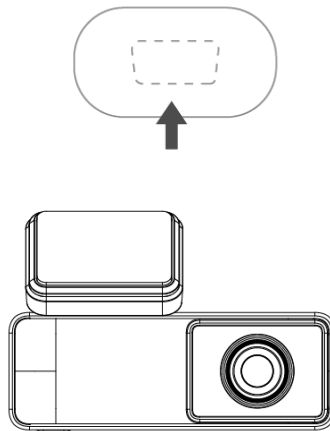
Position the electrostatic sticker within the dotted area on the windshield, avoiding the edges. Choose a clean spot on the glass. Clean the surface thoroughly before applying the sticker and press out any bubbles for a smooth finish.



2.3 Mounting the CarKam GPS

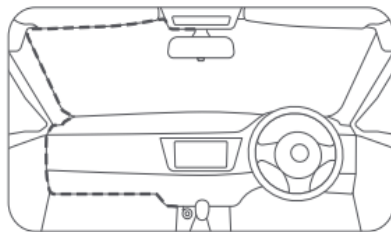
Peel off the protective tape from the high-temperature adhesive on the base of the bracket.

Place the recorder into the designated area outlined by the dotted frame on the electrostatic sticker.



2.4 Cable and connect the power supply.

As shown in the figure, arrange the power supply line along the top of the windshield, the A-pillar, and the passenger storage box. After connecting the charging head near the car charger, insert it into the car charger port.



Please use a pry tool to conceal the power line under the roof upholstery and seal the rubber ring along the A-pillar.

Note: Depending on the vehicle style, the location of the car charger may vary. The figure above is for reference purposes only.

2.5 Power On/Off CarKam GPS

The CarKam GPS supports the following methods for powering on & off:

When the vehicle car charger is plugged in and the vehicle is started, the charger will draw power from the vehicle, automatically activating the CarKam GPS. Upon vehicle turns off and cessation of power supply to the car charger, the CarKam GPS will automatically power off, or you can press the power button for 3 seconds to initiate shutdown.

Note: The CarKam GPS will also shut down in such operations.

- If the CarKam GPS is operated in an environment that exceeds the specified temperature range, it will automatically shut down.
- If you remove the SD card during the operation of the CarKam GPS, the device will automatically shut down.

3. Quick add on CarKam GPS mobile App.

3.1 Download App.

To download and install the **CarKam app**, either scan the QR code provided inside the box or search for it on the Google Play Store & Apple store.

3.3 Add CarKam.

Open the Wi-Fi settings of the mobile phone,

- a) Locate the Wi-Fi hotspot of this device, click “Connect”, and enter the Wi-Fi password given on the backside of the CarKam.
- b) Once connected, you will be able to view the Live preview from device on mobile app live view page.y
- c) If the camera does not display the live view on the mobile app screen, please reconnect to the Wi-Fi hotspot of this device.

3.4 Wi-Fi hotspot information

- Please check the CPPLUS MAC address, like CPPLUS-XXXX, where each device has a unique SSID based on its MAC address, using the last four digits.
- Please refer to the label pasted on the back of the device to find the password for connecting to the hotspot.

4. Storage instructions

4.1 SD card usage.

To use CarKam, you need to separately purchase a micro-SD card (Class 10 or higher) with a capacity between 16GB and 512GB. Upon initial insertion, press the power button three times to format the SD card. Note that formatting deletes all contents, so back up important data first. Replace the SD card if issues arise and avoid using inferior cards.

4.2 Recording instructions.

The storage of normal videos, emergency videos, parking and time lapse videos follows an overlay method. When the SD card memory is full, the latest videos will overlay the oldest ones. To prevent important videos from being overwritten, please promptly export them to other devices, such as mobile phones or computers, for backup.

5. Video recording

5.1 Normal video recording

The CarKam automatically enters normal recording mode upon power-on. The indicator light is green during normal recording (default Wi-Fi on). The default recording duration for normal videos is 1 minute (the recording duration can be modified in the settings).

In the following cases, the CarKam is not in recording mode, and the light status: red (default WIFI is on)

- SD card abnormality.
- Format SD card process.
- Recorder factory reset process.
- Playback mode (View recorder album on APP)
- Receive the upgrade package process.

When returning to the main interface of the recorder, or exiting the above process, the recorder will automatically turn on to record video.

5.2 Emergency video

Recording Duration: Upon triggering emergency video recording, the CarKam continues recording for an additional 30 seconds based on the currently recorded video.

Note: Due to the complexity of road conditions while driving, the CarKam cannot guarantee that a video will be stored in the emergency video file every time an emergency occurs. If you cannot find the video in the emergency video file, please check in the normal video file.

Emergency video recording will stop in the following situations:

- While recording an emergency video, if you press and hold the power button to shut down, the CarKam will exit emergency video recording, save the recorded emergency video, and then shut down.
- While recording an emergency video, disconnect the external power supply to initiate a shutdown.
- If the CarKam shuts down due to continuous operation at high temperatures, it will exit the emergency video recording, save the recorded emergency video, and then shut down.
- If ACC is turned off during the recording of an emergency video, the CarKam will shut down.
- If SD card removed & CarKam off, exit emergency video recording, shut down directly

5.3 File storage.

File type	File name	File naming rules
Normal video	Normal	NOYYYYMMDD-HHMMSS-XXXXXX.mp4
Emergency video	Event	EYYYYMMDD-HHMMSS-XXXXXX.mp4
Parking video	Normal	PAYYYMMDD-HHMMSS-XXXXXX.mp4
Snapshot	Photo	PHYYYYMMDD-HHMMSS-XXXXXX.jpg
Time Lapse	Lapse	LAYYYMMDD-HHMMSS-XXXXXX.mp4

6. Points to Note:

1. The CarKam is a driving assistance product intended for recording the external status of the vehicle. It does not guarantee the user's driving safety. The company bears no responsibility for any losses, including information loss, product failure, or accidents resulting from CarKam operation, which are not attributable to the company.
2. Due to variations in vehicle conditions, driving styles, and environments, certain functions of CarKam may not operate normally. Power failures, usage in extreme temperature and humidity conditions, collisions, SD card damage, etc., may result in recording failures. CarKam does not ensure that all videos can be completely saved under any circumstances. The driving videos recorded by CarKam are for reference purposes only."
3. Ensure proper installation of this product to prevent obstruction of the driver's line of sight and airbag deployment. Improper installation may result in product failure and personal injury.
4. CarKam GPS requires an SD card for operation, which is not included in the package. Do not insert or remove the SD card while the device is powered on, as it may damage the SD card.
5. SD cards have a limited-service life, and extended usage may result in reduced writing speeds, leading to problems with video saving. When such issues arise, please

replace the memory card with a new one. The company bears no responsibility for video-saving difficulties caused by memory card problems.

6. Avoid placing this product near strong magnetic fields, as they may cause damage to the device.
7. Do not use this product in environments exceeding 60°C or below -10°C.
8. Please use this product in compliance with applicable laws.

7. Product Performance Failure Table

Model	Performance failures
CP-AD-H2B-W	<ol style="list-style-type: none">1. The product is damaged2. Unable to power on, unable to record3. Unable to connect to the app4. Other functions caused by factory hardware failure cannot be used normally

8. Package List

CarKam x1.

Bracket x1.

Car charging cable x1.

Electrostatic sticker x1.

Manual x1.

Pry tool x1.

USB Adapter x1.

Thank You for Choosing CPPlus!



Support number 8800952952

Website: - www.cpplusworld.com

Email id: - sales@cpplusworld.com; carkamsupport@cpplusworld.com
