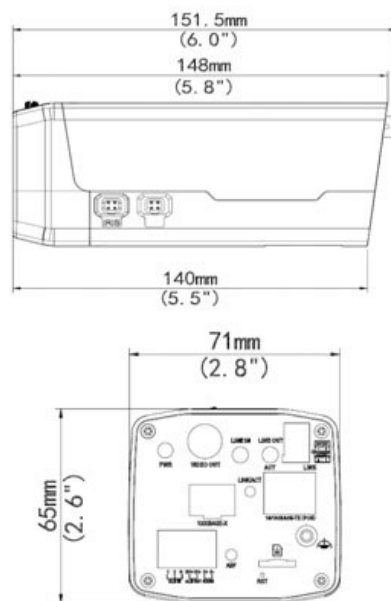


**CP- VNC-B21-VMD****2 MP Full HD WDR Network Box Camera****Main Features**

- 1/2.8" 2MP PS CMOS Image Sensor
- Max. 30 fps@1920 x 1080
- Ultra H.265, H.265, H.264, MJPEG Triple-stream Encoding
- WDR(120dB), Day/Night (ICR), 3D/2D-DNR, Digital Defog, Corridor mode, AWB, AGC, BLC
- CS Mount lens, Micro SD Card
- 6 KV surge protection designed for network interface
- Supports Instastream technology, save disk space and bandwidth upto 70%
- Mobile Software: Android, iOS
- CMS Software: IVMS



# CP- VNC-B21-VMD

## 2 MP Full HD WDR Network Box Camera

### Feature

Image Sensor

Minimum Illumination

Shutter Speed

White Balance

Lens

Iris

Focus

Gain Control (AGC)

S/N Ratio

Video Compression

Video Streaming

Resolution

Video Output

Frame Rate

Motion detection

Privacy Mask

ICR

ROI

Audio Input

Audio Compression

Audio Output

Alarm IN

Alarm Out

Audio

Interface

Protocol

General Function

Network Storage

Ethernet

### Specification

1/2.8" 2MP Progressive scan CMOS

Colour: 0.0005Lux (F1.2, AGC ON) B/W: 0.0001Lux(F1.2, AGC ON)

Auto/Manual, 1 ~ 1/100000s

Auto/Manual

CS Mount Lens

DC-Iris/P-Iris, DC 5V (4 Pins)

Auto/Manual

Auto/Manual

>52dB

Ultra 265, H.264, MJPEG

Triple

2MP (1920 × 1080)

1 BNC, impedance 75 Ω; amplitude 1 V [p-p]

Main Stream: 2MP (1920x1080), Max 30fps; Sub Stream: 2MP (1920x1080), Max 30fps;  
Third Stream: D1 (720x576), Max 30fps

Up to 4 areas

Up to 8 areas

IR-cut filter with auto switch (ICR)

Up to 8 areas

1 Ch.

G.711

1 Ch.

2 IN

1 Out

Two-way audio

1 RS485

IPv4, IGMP, ICMP, ARP, TCP, UDP, DHCP, PPPoE, RTP, RTSP, RTCP, DNS, DDNS, NTP, FTP, UPnP, HTTP, HTTPS, SMTP, 802.1x, QoS, ONVIF (Profile S & G), API

Watermark, IP Address Filtering, Tampering Alarm, Alarm input, Alarm output, Access Policy, ARP Protection, RTSP Authentication, User Authentication

ANR

1 RJ45 10M/100M Base-TX Ethernet

# CP- VNC-B21-VMD

## 2 MP Full HD WDR Network Box Camera

### Feature

OSD  
Micro SD  
Operating Temperature  
Humidity  
Power Source  
Power Consumption  
Dimension  
Weight

### Specification

Up to 8 OSDs  
Micro SD, up to 256GB  
-20°C ~ +60°C (-4°F ~ 140°F)  
≤ 95% RH (non-condensing)  
AC 24V±10%, DC 12V±10%, PoE (IEEE 802.3af)  
Max 6.8W  
151.5mm x 71mm x 65 mm  
0.48 kg