

CP-UVR-0401F1-PGI

4 Ch. H.265 AI Mobile Video Recorder

- Supports 4-ch 2MP analog cameras and 4-ch 2MP IP cameras input
- Support Instastream/ H.265 video compression
- Support Penta-Brid (HDCVI/AHD/TVI/CVBS/IP) video input
- Aviation connectors adopted
- Support 1 HDD and 1 SD card, 3 USB Ports (2.0)
- Supports DSM/ADAS/BSD
- Support GPS and 3G/4G
- VGA/TV simultaneous video output
- Mobile Software: EMSS Pro, iCMOB/gCMOB (Live view and Playback)
- CMS Software: EMSS Pro, KVMS Pro (Live view and Playback)



System Overview

The CP PLUS Mobile Digital Video Recorder is perfect for any situation whether you are just starting your mobile surveillance and have an on-going sophisticated security operation. This MDVR is purposefully built for mobile environments with high-resolution recording as well as dual streaming technology. This MDVR comes with an enhanced system health monitoring solution that adds to your peace of mind by upholding the health level of your security system.

Functions

Multiple ports

With kinds of ports, like RS232, RS485, I/O, the video recorder can connect with various of accessories, such as card reader, fuel sensor, panic button and so on, so that the video, audio, alarm and location information can be uploaded to VMS.



CP-UVR-0401F1-PGI

4 Ch. H.265 AI Mobile Video Recorder

Functions

GPS

This MDVR comes with an in-built GPS to support location tracking and relays the current location of the device in real-time to the control room.

Improved Management Capabilities

Flexible channel assignment, automatic IP addressing, dynamic camera configuration during alarm, and video management integration work together to simplify the system maintenance and management activities.

Vibration Resistant

This modern MDVR has been crafted with a vibration resistant design to prevent damage under harsh conditions or environmental pressures.

H.264 Video Compression

The most reliable video compression design, which is H.264, has been provided in this product. This technology is beneficial for minimising storage costs as well as enabling you to save on resolution and the rate of frame in the video with the help of Intelligent Region Perception to detect motion in each frame.

About CP PLUS

The brand that is on its way to lead the world when it comes to the security and surveillance industry, CP PLUS, keeps bombarding the market with the most reliable range of products that have been designed carefully and methodically to automate the whole surveillance and security process, no matter how big your premises are.

It was the initiative to help the public in the area where they are the most vulnerable and to empower the sense of safety in our hearts that had conceptualized CP PLUS. And embarking on its mission to make the world a safer and more secure place has taken the brand's journey to unprecedented levels even when compared to international competitors.



CP-UVR-0401F1-PGI

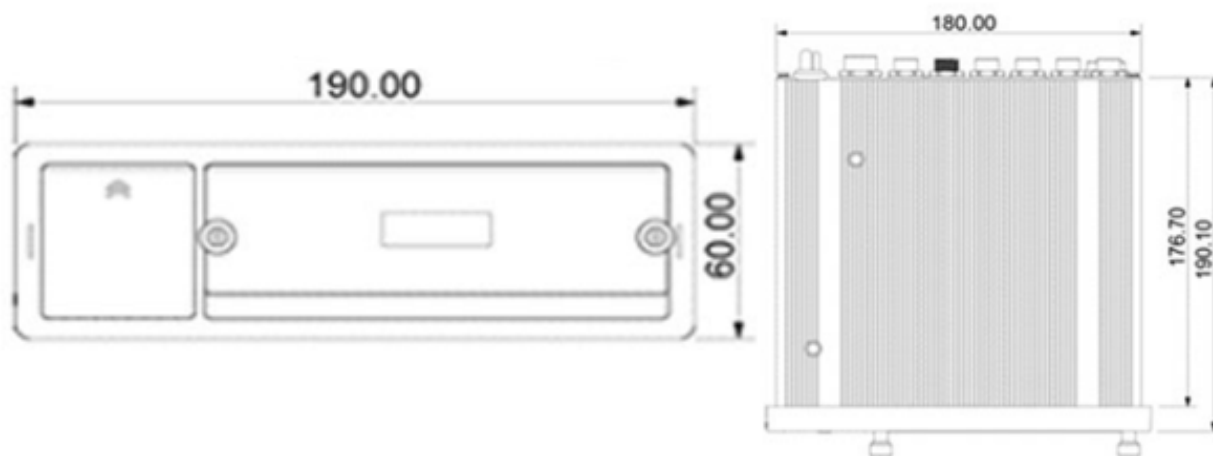
4 Ch. H.265 AI Mobile Video Recorder

Feature	Specification
Processor	High-performance industrial embedded micro-controller
Operating System	Embedded LINUX
Two-way Talk	Supported
Operation Interface	WEB, AV, VGA
IP Camera Input	4 IP cameras, up to 1080P resolution (extendable via PoE switch)
Video Output	AV OUT x 1, VGA x 1
Compression	H.265, H.264
Encode Strategy	Instastream
Video Frame Rate	PAL: 1-25fps, NTSC: 1-30fps
Video Resolution	VGA: 800×600, Web: 1280×1024
Video Display Split	1/4/8/9
OSD Overlay	Channel, time, GPS position, license plate
Analog Camera Input	4 HDCVI/AHD/TVI/CVBS cameras, up to 1080P resolution (Audio input is not supported when connecting AHD/TVI/CVBS cameras)
Dual-Stream	Supported (up to D1 encoding for sub stream)
Image Quality Adjustment	Image quality adjustable across six levels
Audio Compression	G.711A/G.711U/PCM
Audio Input	4 (with Built-in Mic camera)
Audio Output	1 aviation port for audio output 1 audio talk output
Alarm Input	8 channels for alarm input, 1 channel for pulse speed measuring
Alarm Output	1 channel of controllable 12V alarm output, digital quantity
Hard Disk	1, 2.5-inch HDDs (SATA) up to 2TB
SD Card	1 SD card, Up to 256GB

Feature	Specification
Heat Dissipation	Built-in fan cooling
ADAS	Alerts for forward collision, lane departure and vehicles distance too close
DSM	Supports detection of drowsy driving, distracted driving, calling while driving, no driver, wearing IR blocking sunglasses, smoking when driving and lens tampering
BSD	Blind Spot Detection
Record Mode	Auto, Manual, motion detection, schedule, alarm Record alarm > alarm > motion detection > schedule
General Alarm	Motion detection, video tampering and loss, local alarm, camera offline, manual alarm control, DSM, ADAS and BSD alarm
Abnormal Alarm	No HDD, HDD error, insufficient capacity, illegal login, ACC off, high temperature, rollover, battery low voltage, over speed, low speed, collision, tapid turn, rapid speedup, hard braking, low battery safety exception, network security exception
Alarm Linkage	Record, snapshot, local external alarm output, buzzer, log, screen prompt, tour
Gyroscope	Supports event detection and alarm such as rollover, collision, rapid speedup/slowdown/turn
Recording Playback	1, 4
Backup Mode	HDD, USB flash drive and network backup
GPS	Support
3G/4G	Support
Interface Ports	Front panel: 2 × USB 2.0 Rear panel: 1 × USB 2.0 from EXTEND port, 2 Port RS232, 1 Port RS485, 1 TV Output, 1 Pulse Count
Network Port	Front panel: 1 × 10M/100M RJ45 Rear panel: 1 × 10M/100M 6-pin aviation connector
Power Supply	DC 6-36V with the built-in UPS (Enables system protection in normal power cut-off and in Under voltage of vehicle battery.)
Power Consumption	8.4W (without peripheral) Low power consumption: < 0.1W
Operating Temperature	-30 °C to +70°C (-22 °F to +158 °F)
Operating Humidity	10 ~ 90%
Dimensions	1 DIN Front panel: 190 mm × 60 mm (7.5'×2.4') Rear panel: 180 mm × 50 mm (7.1'×2.0')
Weight	2.83Kg (with packages)

****ADAS/DSM/BSD Features Work with Specific Camera Models.**

Dimensions (mm/inch)



Company Name:

CP PLUS (Aditya Infotech Ltd.)

F-28 Okhla Industrial Area, Phase 1,

New Delhi 110020, INDIA

Contact Mail ID :- customercare@cpplusworld.com

