

CP-USC-CC24L2C

2.4MP Mobile Cube Camera

- 1/2.7" 2.4 MP Progressive CMOS Image Sensor(0.9407cm)
- CVI/CVBS/AHD/TVI switchable
- Max 30fps@2.4MP
- 2.8mm fixed lens (2.1mm optional)
- DWDR, Day/Night (ICR), 2D-DNR, AWB, AGC, BLC, HLC
- Built-in Mic
- IR Max. length 20m, Smart IR
- Built-in 1/1 alarm in/out
- IP67, Shock-proof



System Overview

This Camera is the perfect solution for various kinds of vehicles, including bus, coach, van etc. The vehicle-mounted CCTV cameras enable drivers and operator to check anytime what happen inside and outside the vehicle by delivering a live feed on the monitor of everything in the camera view, including people or obstacles.

Moreover, fitted with Infra-Red LEDs for improved night vision and combined with a robust, durable casing, the operation system offers unrivalled performance and clarity.



CP-USC-CC24L2C

2.4MP Mobile Cube Camera

Functions

UNI+ Technology

CP PLUS Analog HD cameras offer compatibility across all the available technologies - CVBS, TVI, HDCVI, AHD making upgrading simple and hassle-free.

IR LED

Numerous IR LEDs provide detailed images even in very low light conditions. These LEDs adjust the infrared intensity for distinct images in dark environments for up to 20mtrs.

Plug & Play

CP PLUS Analog HD cameras are simple to configure and install.

About CP PLUS

The brand that is on its way to lead the world when it comes to the security and surveillance industry, CP PLUS, keeps bombarding the market with the most reliable range of products that have been designed carefully and methodically to automate the whole surveillance and security process, no matter how big your premises are.

It was the initiative to help the public in the area where they are the most vulnerable and to empower the sense of safety in our hearts that had conceptualized CP PLUS. And embarking on its mission to make the world a safer and more secure place has taken the brand's journey to unprecedented levels even when compared to international competitors.



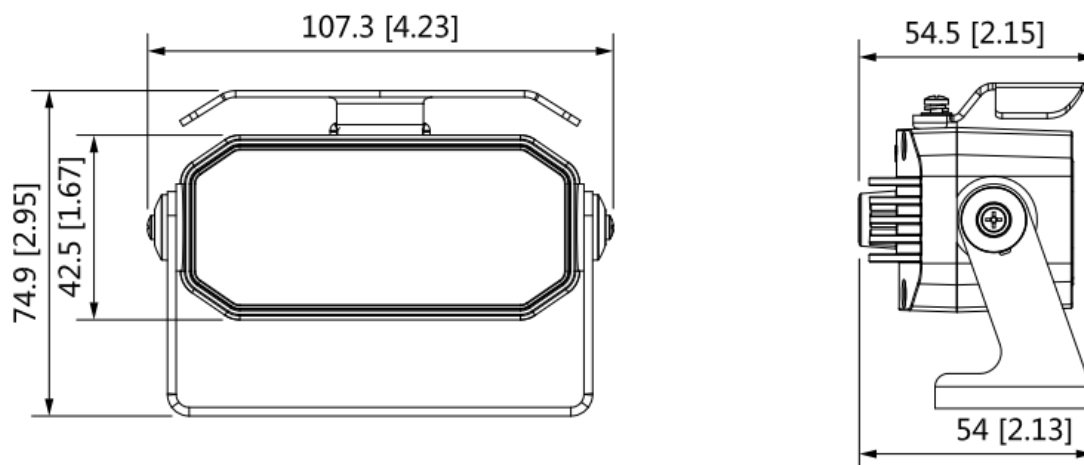
CP-USC-CC24L2C

2.4MP Mobile Cube Camera

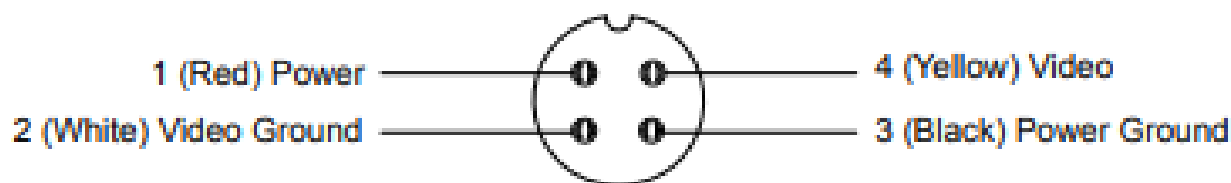
Feature	Specification
Image Sensor	1/2.7" 2.4MP Progressive CMOS Sensor(0.9407cm)
Max. Resolution	2.4MP
Minimum Illumination	0.02 Lux/F2.0, 30IRE, 0 Lux IR on
Shutter Speed	PAL: 1/25 s–1/100000 s NTSC: 1/30 s–1/100000 s
Lens Type	Fixed-focal
Mount Type	M12
Max. Aperture	2.8mm: F2.0 2.1mm: F2.0
Iris Type	Fixed iris
Lens	2.8mm (2.1mm optional)
DORI Distance	2.8mm : 38.6m (Detect) 15.4m (Observe) 7.7m (Recognize) 3.9m (Identify) 2.1mm : 31.3m (Detect) 12.5m (Observe) 6.3m (Recognize) 3.1m (Identify)
Gain Control(AGC)	Auto/Manual
White Balance	Auto/ Manual
Back Light Compensation	BLC / HLC / DWDR
Close Focus Distance	2.8mm: 0.5m (1.64 ft), 2.1mm: 0.3m (0.98 ft)
Angle of View	2.8mm: H: 106°; V: 55°; D: 126°, 2.1mm: H: 133°; V: 77°; D: 153°
Pan,Tilt, Rotation	Tilt: 0°–180°
S/N Ratio	More than 65dB
Noise Reduction	2D NR
ICR	Auto switch (ICR)
Video Output	1-channel CVI/CVBS/AHD/TVI switchable video output (Aviation connector)
Resolution	2.4MP; 720p (1280 × 720); 960H (960 × 576/960 × 480)
Frame Rate	CVI: 2.4MP@25/30fps; 720p@25/30fps; 720p@50/60fps, AHD: 2.4MP@25/30fps; 720p@25/30fps, TVI: 2.4MP@25/30fps; 720p@25/30fps; 720p@50/60fps, CVBS: 960H

Feature	Specification
Privacy Mask	Off/On (8 area, rectangle)
Mirror Function	ON/OFF
IR Control	Auto, manual
IR Distance	20m
IR Number	1 (Smart IR)
Built in Mic	Yes
Weatherproof Standard	IP67, Shock-Proof
Operating Temperature	-40°C to +60°C (-40°F to 140°F); <95% (non-condensation)
Storage Temperature	-40°C to +60°C (-40°F to 140°F); <95% (non-condensation)
Aviation Connector Interface	1- Power, 2-Power ground, 3-Video, 4-Video ground
Power Source	12V ±30% DC
Power Consumption	Max 2.3W (12V DC, IR on)
Casing	Metal
Dimension	107.3mm × 74.9mm × 54.5mm
Weight	0.33kg

Dimensions (mm/inch)



Aviation Connector



Company Name:

CP PLUS (Aditya Infotech Ltd.)

F-28 Okhla Industrial Area, Phase 1,

New Delhi 110020, INDIA

Contact Mail ID :- customercare@cpplusworld.com

