

CP-UNC-TA41L2C-GP

4 MP Full-color Guard+ Network IR Bullet Camera

- 1/3" 4MP PS CMOS Image Sensor (0.84667cm)
- Max. Output 4 MP (2560 × 1440)@25/30 fps.
- Instastream, H.265, H.264, dual-stream encoding
- WDR(120dB), Day/Night(ICR), 3D-DNR,ROI, AWB, AGC, BLC, HLC
- 3.6mm fixed lens (2.8mm optional)
- Built-in Mic
- Illuminator Range of 15 Mtrs, IP67, PoE
- Mobile Software: iCMOB, gCMOB
- CMS Software: KVMS Pro



System Overview

With features of simple installation, easy operation, and high performance-cost ratio, Guard+ Series of Network Camera is applicable to small and medium-sized scenes, such as homes/residences, small-sized retail stores, and other small and medium-sized enterprises.

Functions

Power over Ethernet

This product uses the latest PoE technology to troubleshoot the occurrence of any issues in the system making it easier to use. With the help of this technology, your camera now only consumes energy directly from the power supply and doesn't require any mid-way switches.



CP-UNC-TA41L2C-GP

4 MP Full-color Guard+ Network IR Bullet Camera

Functions

Wide Dynamic Range (WDR)

When a scene is partly dark and partly bright, that is the dynamic range that distorts images due to this difference in the lighting. WDR technology provides you balanced lighting for a clear and vivid image throughout the day. WDR technology can be installed at entry/exit points of any building structure, jewelry shops, outdoor location among so many other places.

Full-color

With high-performance sensor and large aperture lens, Guard+ Series of Network Camera Full-color technology can display clear colorful image in the environment of ultra-low illumination. With this photosensitivity technology, the camera can capture more available light, and display more colorful image details

Regions of Interest

Regions of Interest (ROI) is a user defined feature that allows the operator to monitor specific areas of a scene while still maintaining overall situational awareness of less important areas.

KVMS Pro

The KVMS Pro is a hybrid security management software that allows the management of various surveillance devices such as cameras, DVRs/ NVRs, encoders/ decoders, etc. It is released with the surveillance hardware and exclusively supports CP PLUS devices.

gCMOB/ iCMOB

Designed to allow users to access and control live streaming from CP PLUS IP Cameras, DVRs/NVRs and Video Door Phones, the CP PLUS gCMOB/iCMOB application offers a host of features such as Easy GUI, up to 16 live viewing split-ups; InstaOn cloud support; Playback; digital zoom ins; two-way

About CP PLUS

The brand that is on its way to lead the world when it comes to the security and surveillance industry, CP PLUS, keeps bombarding the market with the most reliable range of products that have been designed carefully and methodically to automate the whole surveillance and security process, no matter how big your premises are.

It was the initiative to help the public in the area where they are the most vulnerable and to empower the sense of safety in our hearts that had conceptualized CP PLUS. And embarking on its mission to make the world a safer and more secure place has taken the brand's journey to unprecedented levels even when compared to international competitors.



CP-UNC-TA41L2C-GP

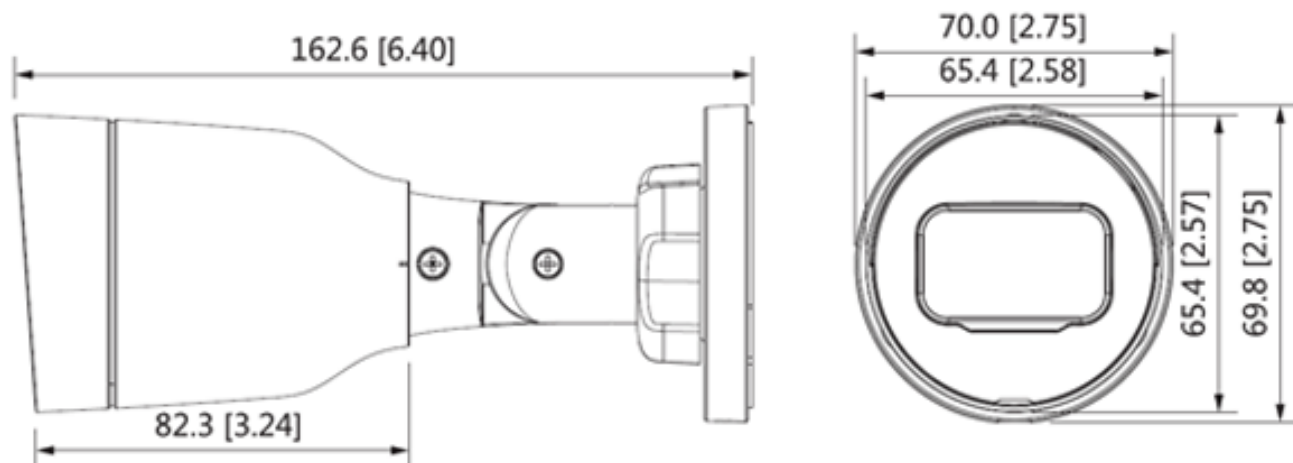
4 MP Full-color Guard+ Network IR Bullet Camera

Feature	Specification
Image Sensor	1/3" 4MP Progressive scan CMOS(0.84667cm)
Effective Pixels	2560 (H) × 1440 (V)
Minimum Illumination	0.008 lux@F1.6
Shutter Speed	Auto/Manual 1/3 s–1/100,000 s
ROM	128MB
RAM	128MB
Lens Type	Fixed lens
Max. Aperture	F1.6
Iris Type	Fixed
Mount Type	M12
Lens	3.6mm (2.8mm optional)
Close Focus Distance	0.9 m,1.6 m
DORI Distance	3.6 mm: 85.4 m (detect) 34.2m (Observe) 17.1m (Recognize) 8.5m (Identify) 2.8 mm: 63.3m (detect) 25.4m (Observe) 12.7m (Recognize) 6.4m (Identify)
White Balance	Auto, natural, street lamp; outdoor; manual; regional custom
Gain Control (AGC)	Auto/Manual
Angle of View	H: 95°; V: 52°; D: 114°; H: 78°; V: 41°; D: 94°
Stream Capability	2 Streams
S/N Ratio	More than 56dB
Back Light Compensation	BLC / HLC / WDR (120dB)
Video Compression	H.265, H.264+, H.264B, H.264, MJPEG (only supports by sub stream)
Encode Strategy	Instream
Pan, Tilt, Rotation	Pan: 0°–360° Tilt: 0°–90° Rotation: 0°–360°
Resolution	4M (2560 × 1440); 3M (2304 × 1296); 1080p (1920 × 1080); 1.3M (1280 × 960); 720p (1280 × 720); D1 (704 × 576/704 × 480); VGA (640 × 480); CIF (352 × 288/352 × 240)

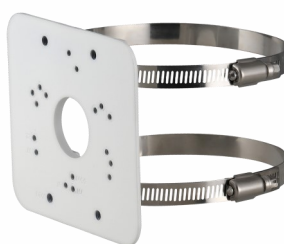
Feature	Specification
Frame Rate	Main stream: 2560 × 1440@ (1–25/30 fps) sub stream: 704 × 576@ (1–25 fps)/704 × 480@ (1–30 fps) *The values above are the max. frame rates of each stream; for multiple streams, the values will be subjected to the total encoding capacity
Motion detection	Off / On (4 Zone, Rectangle)
Privacy Mask	4 Area
ICR	Color/B/W
ROI	Yes(4 Zone)
Built in Mic	Yes
Audio Compression	G.711a; G.711Mu; G.726; PCM
Bit Rate Control	CBR/VBR
Bit Rate	H.264: 32 kbps–6144 kbps, H.265: 32 kbps–6144 kbps
Protocol	IPv4; IPv6; HTTP; TCP; UDP; ARP; RTP; RTSP; RTCP; RTMP; SMTP; FTP; SFTP; DHCP; DNS; DDNS; QoS; UPnP; NTP; Multicast; ICMP; IGMP; NFS; PPPoE; Bonjour, ONVIF (Profile S, Profile T), CGI, InstaOn, Milestone
Cyber Security	Configuration encryption; Trusted execution; Digest; Security logs; WSSE; Account lockout; syslog; Video encryption; 802.1x; IP/MAC filtering; HTTPS; Trusted upgrade; Trusted boot; Firmware encryption; Generation and importing of X. 509 certification
Ethernet	RJ-45 (10/100Base-T)
SDK and API	Yes
Alarm Event	Network disconnection; IP conflict; illegal access; motion detection; video tampering; audio exception; voltage detection; security exception
User/Host	20 Users (Total bandwidth: 48 M)
Browser	IE ,Chrome, Firefox
Mirror Function	Yes
Noise Reduction	3D NR
Image Rotation	0°/90°/180°/270° (Support 90°/270° with 2560 × 1440 resolution and lower)
Smart Phone	iPhone, iPad, Android Phone
Storage	FTP,SFTP,NAS
Illuminator Distance	15 Mtr (Smart Illuminator)
Illuminator Number	1 (warm light)

Feature	Specification
Illuminator Control	Auto, Manual
Weatherproof Standard	IP67
Operating Temperature	-40 °C to +55°C (-40 °F to +131 °F)
Humidity	≤95%
Storage Temperature	-40 °C to +60 °C (-40 °F to +140 °F)
Power Source	DC 12V, PoE (802.3af)
Power Consumption	Basic: 2.1 W (12 VDC); 3 W (PoE) Max. (WDR+H.265+ warm light intensity): 4.3 W (12 VDC); 5.3 W (PoE)
Casing	Metal + Plastic
Dimension	162.6 mm × 70 mm × 70 mm (L×W×H)
Weight	0.22Kg

Dimensions (mm/inch)



Accessories : Optional



CP-UA-B2P
Pole Mount

Company Name:

CP PLUS (Aditya Infotech Ltd.)
F-28 Okhla Industrial Area, Phase 1,
New Delhi 110020, INDIA

Contact Mail ID :- customercare@cpplusworld.com