

CP-UNC-PD21C-VD

2MP Full HD WDR Network Pinhole Camera

- 1/3" 2MP PS CMOS image sensor(0.84667Cm)
- Max. Output 2MP(1920×1080)@25/30 fps
- 2.8 mm Fixed lens
- Built in Mic
- Instastream, H.265, H.264 dual-stream encoding
- WDR(120dB), Day/Night(Color/B/W), 3DNR, AWB, AGC, BLC, HLC, ROI
- Mobile Software: iCMOB, gCMOB
- CMS Software: KVMS Pro



System Overview

This series network camera includes one-in-all camera. Pinhole Series camera is widely applied in hidden or small scenes such as banks and advertising screen.

Functions

Wide Dynamic Range (WDR)

When a scene is partly dark and partly bright, that is the dynamic range that distorts images due to this difference in the lighting. WDR technology provides you balanced lighting for a clear and vivid image throughout the day. WDR technology can be installed at entry/exit points of any building structure, jewellery shops, outdoor location among so many other places.



CP-UNC-PD21C-VD

2MP Full HD WDR Network Pinhole Camera

Functions

Live Viewing

Unlike some, this technology enables you to record the picture feed but view it live as well at your convenience. On top of that, the advantages of high-resolution video recording are numerous.

Instastream

This camera has been designed with the latest and most efficient innovation among the standard video compression designs. Smart encoding algorithms developed by CP PLUS help in saving up to 70% more bandwidth than H.265 along with making it more beneficial for minimizing bandwidth and storage costs. It enhances video coding efficiency while providing high resolution and the rate of frame in the video using Intelligent Region Perception to detect motion in each frame.

gCMOB/ iCMOB

Designed to allow users to access and control live streaming from CP PLUS IP Cameras, DVRs/ NVRs and Video Door Phones, the CP PLUS gCMOB/ iCMOB application offers a host of features such as Easy GUI, up to 16 live viewing split-ups; InstaOn cloud support; Playback; digital zoom ins; two-way talk, and more.

KVMS Pro

The KVMS Pro is a hybrid security management software that allows the management of various surveillance devices such as cameras, DVRs/ NVRs, encoders/ decoders, etc. It is released with the surveillance hardware and exclusively supports CP PLUS devices.

Regions of Interest

Regions of Interest (ROI) is a user defined feature that allows the operator to monitor specific areas of a scene while still maintaining overall situational awareness of less important areas.

About CP PLUS

The brand that is on its way to lead the world when it comes to the security and surveillance industry, CP PLUS, keeps bombarding the market with the most reliable range of products that have been designed carefully and methodically to automate the whole surveillance and security process, no matter how big your premises are.

It was the initiative to help the public in the area where they are the most vulnerable and to empower the sense of safety in our hearts that had conceptualized CP PLUS. And embarking on its mission to make the world a safer and more secure place has taken the brand's journey to unprecedented levels even when compared to international competitors.



CP-UNC-PD21C-VD

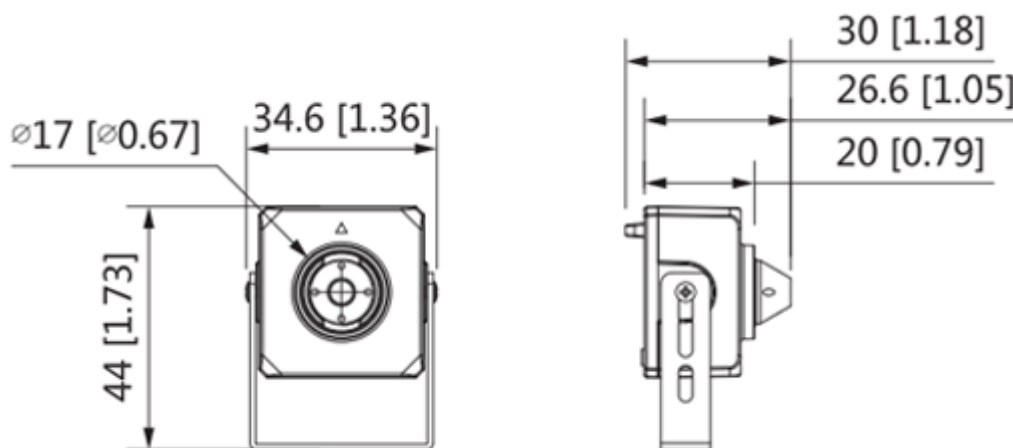
2MP Full HD WDR Network Pinhole Camera

Feature	Specification
Image Sensor	1/3" 2MP PS CMOS image sensor(0.84667Cm)
Effective Pixels	1920H) x 1080(V)
Minimum Illumination	0.01 lux@F2.0 (Color, 30 IRE) 0.001 lux@F2.0 (B/W, 30 IRE)
Shutter Speed	Auto/Manual 1/3 s–1/100,000 s
ROM	128 MB
RAM	128 MB
Max. Aperture	F2.0
Lens Type	Fixed
Lens	2.8mm
Lens Mount	M12
Iris Type	Fixed
Gain Control (AGC)	Auto/Manual
Close Focus Distance	0.8 m
DORI Distance	2.8 mm: 61.0 m (Detect), 24.4 m (Observe), 12.2 m (Recognize), 6.4 m (Identify)
White Balance	Auto; natural; street lamp; outdoor; manual; regional custom
Back Light Compensation	BLC / HLC / WDR(120dB)
Video Compression	H.265; H.264; Smart H.264+; H.264B; MJPEG (Only supported by the sub stream)
Encode Strategy	Instastream
Stream Capability	2 Stream
Angle of View	Horizontal: 96°; Vertical: 55°; Diagonal: 110°
S/N Ratio	More than 56dB
Resolution	1080p (1920 × 1080); 1.3M (1920 × 960); 720p (1280 × 720); D1 (704 × 576/704 × 480); VGA (640 × 480); CIF(352 × 288/352 × 240)
Frame Rate	Main stream:1920 × 1080 @(1–25/30 fps) Sub stream: 704 × 576 @ (1–25 fps)/704 × 480 @(1–30 fps) *The values above are the max. frame rates of each stream; for multiple streams, the values will be subjected to the total encoding capacity.

Feature	Specification
Noise Reduction	3D NR
Motion detection	Off / On (4 Zone, Rectangle)
Image Rotation	0°/90°/180°/270° (Support 90°/270° with 1080P resolution and lower)
Abnormality detection	Motion detection, video tampering, scene changing, audio detection, network disconnection, IP conflict, illegal access, and voltage detection
Perimeter Protection	Intrusion; Tripwire
Privacy Mask	Up to 4 areas
ICR	Color/B/W
ROI	Off / On (4 Zone)
SDK and API	Supported
Mirror Function	Supported
Audio Compression	G.711a; G.711Mu; PCM; G.726
Built in Mic	Supported
Audio Input	1 channel In
Audio Output	1 channel (RCA port)
Bit Rate Control	CBR/VBR
Bit Rate	H.264: 3 kbps–6144 kbps H.265: 3 kbps–6144 kbps
Storage	FTP; SFTP; NAS
Protocol	IPv4; IPv6; HTTP; TCP; UDP; ARP; RTP; RTSP; RTCP; RTMP; SMTP; FTP; SFTP; DHCP; DNS; DDNS; QoS; UPnP; NTP; Multicast; ICMP; IGMP; NFS; PPPoE; Bonjour; ONVIF (Profile S/Profile T); CGI; InstaOn cloud; Milestone
Ethernet	RJ-45 (10/100Base-T)
Alarm Event	Network disconnection; IP conflict; illegal access; motion detection; video tampering; tripwire; intrusion; audio detection; voltage detection; security exception
Cyber Security	Video encryption; Firmware encryption; Configuration encryption; Digest; WSSE; Account lock-out; Security logs; IP/MAC filtering; Generation and importing of X.509 certification; syslog; HTTPS; 802.1x; Trusted boot; Trusted execution; Trusted upgrade
User/Host	20 (Total bandwidth: 48 M)
Browser	IE, Chrome, Firefox
Smart Phone	iPhone, Android Phone

Feature	Specification
Operating Temperature	-40 °C to +60 °C (-40 °F to +140 °F)
Storage Temperature	-40 °C to +60 °C (-40 °F to +140 °F)
Power Source	DC12V
Power Consumption	Basic: 1.2 W (12 VDC) Max. (H.265 + intelligence on + WDR): 1.56 W (12 VDC)
Dimension	44.9mm × 57.7mm × 34.35mm
Casing	Metal
Weight	0.102Kg

Dimensions (mm/inch)



Company Name:

CP PLUS (Aditya Infotech Ltd.)

F-28 Okhla Industrial Area, Phase 1,

New Delhi 110020, INDIA

Contact Mail ID :- customer-care@cpplusworld.com