

CP-UNC-DH31L2T-VMS

3MP IR Dual-Lens Network Camera

- 1/2.8" 3Megapixel PS CMOS Image Sensor (0.9071 centimeters)
- Max. 3MP (2048 × 1536)@30fps
- Instastream and H.264+ video encoding
- DWDR, Day/Night (ICR), 3D-DNR, ROI, AWB, AGC, BLC, HLC
- 3.6mm, 2.8mm Lens
- IR Range of 20 Mtrs, IP67, IK10
- Support Starlight Technology
- People counting: Queue management, people counting in area, entry/ exit number counting, and it can output daily/monthly/yearly report
- Support Built-in Mic. Siren active deterrence, built-in 8 voices, and user can import custom voices
- Mobile Software: iCMOB, gCMOB
- CMS Software: KVMS Pro



System Overview

Understanding the need of the hour in the security and surveillance industry, this series has been integrated with the starlight technology along with efficient and powerful deep-learning algorithms to make your life hugely easier. The numerous AI-based smart functions of this camera let you capture a face, protect the perimeter and even count people, greatly improving the accuracy of your video analysis. This camera also complies with international certification standards such as IP67 and IK10, as this camera is not just dust-proof and water-proof but also shock-proof and vandal-proof (which is given in selected models).

Functions

Starlight Technology

This camera is widely used to provide sharper and clearer picture quality with the help of its exceptional starlight sensitivity as the camera improves night vision in low light conditions. This technology is useful in conditions with extremely low light as the starlight technology turns almost completely dark images into those of clear colors.



CP-UNC-DH31L2T-VMS

3MP IR Dual-Lens Network Camera

Functions

Live Viewing

Unlike some, this technology enables you to record the picture feed but view it live as well at your convenience. On top of that, the advantages of high-resolution video recording are numerous.

Smart Analytical Support

Using an advanced algorithm, smart analytical technology lets you set a multitude of safety parameters and sends you alerts when any of those parameters have been compromised. Not just when there's an occurrence of tripwire or intrusion, but also in the cases of missing or abandoned objects.

Face Detection

With the help of the deep learning algorithm that is used in this technology, people can easily be detected, tracked, recorded, and captured. It takes only a second to detect one human face. This facial recognition technology uses biometrics to map facial features from a photograph or video and compares the information with a database of known faces to find a match.

True Day/Night (ICR)

When the scene is too dark, the image is captured by illuminating an infrared light through the camera onto the scene that greatly helps with making the scene visible for the lens. It delivers color images during the day and automatically switches to the monochrome feature as the scene darkens.

gCMOB/ iCMOB

Designed to allow users to access and control live streaming from CP PLUS IP Cameras, DVRs/ NVRs and Video Door Phones, the CP PLUS gCMOB/ iCMOB application offers a host of features such as Easy GUI, up to 16 live viewing split-ups; InstaOn cloud support; Playback; digital zoom ins; two-way talk, and more.

KVMS Pro

The KVMS Pro is a hybrid security management software that allows the management of various surveillance devices such as cameras, DVRs/ NVRs, encoders/ decoders, etc. It is released with the surveillance hardware and exclusively supports CP PLUS devices.

About CP PLUS

The brand that is on its way to lead the world when it comes to the security and surveillance industry, CP PLUS, keeps bombarding the market with the most reliable range of products that have been designed carefully and methodically to automate the whole surveillance and security process, no matter how big your premises are.

It was the initiative to help the public in the area where they are the most vulnerable and to empower the sense of safety in our hearts that had conceptualized CP PLUS. And embarking on its mission to make the world a safer and more secure place has taken the brand's journey to unprecedented levels even when compared to international competitors.



CP-UNC-DH31L2T-VMS

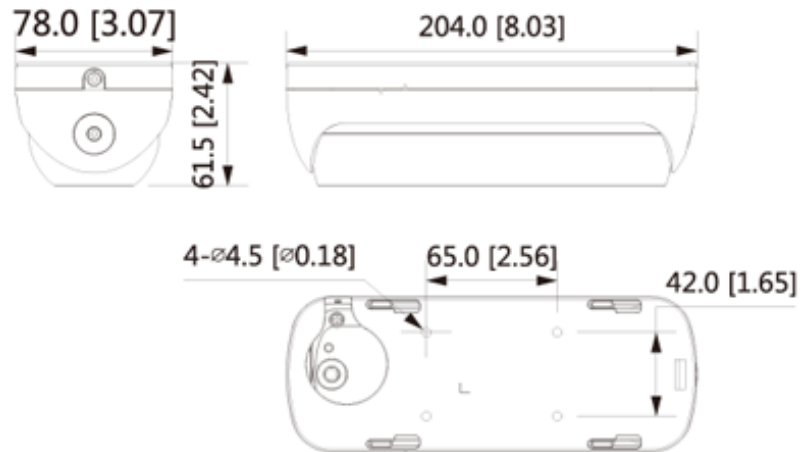
3MP IR Dual-Lens Network Camera

Feature	Specification
Image Sensor	1/2.8" 3Megapixel progressive CMOS (0.9071 centimeters)
Minimum Illumination	0.005 Lux@F1.6 (Color,30IRE) 0.0005 Lux@F1.6 (B/W,30IRE) 0 Lux (Illuminator on)
Effective Pixels	2048 (H) × 1536 (V)
S/N Ratio	>56dB
ROM & RAM	4GB & 2GB
Shutter Speed	Auto/Manual, 1/3~1/1000,000s
White Balance	Auto/natural/street lamp/outdoor/manual/regional custom
DORI Distance	2.8mm– 44.8m (Detect) 17.9m (Observe) 9.0m (Recognize) 4.5m (Identify) 3.6mm– 64.0m (Detect) 25.6m (Observe) 12.8m (Recognize) 6.4m (Identify)
Close Focus Distance	2.8 mm: 0.7 m ; 3.6 mm: 1.3 m
Mount Type	M12
Lens	3.6mm; 2.8mm
Iris Type	Fixed
Max. Aperture	F1.6
Lens Type	Fixed-focal
Gain Control (AGC)	Auto/Manual
Video Compression	Instastream; Smart H.264+; H.265; H.264; H.264H; H.264B; MJPEG (only supported by the sub stream)
Back Light Compensation	BLC / HLC / DWDR
Angle of View	2.8 mm: Horizontal 96° × Vertical 70° × Diagonal 128° 3.6 mm: Horizontal 79° × Vertical 57° × Diagonal 104°
Video Streaming	Main stream: 3MP (1–25/30fps) Sub stream: D1 (1–25/30fps) Third stream: 2MP (1–25/30 fps) Fourth stream: 2MP (1–25/30fps) Fifth stream: D1 (1–25/30fps)
Resolution	3M (2048 × 1536); 1080p (1920 × 1080); 720p (1280 × 720); D1 (704 × 576/704 × 480); CIF (352 × 288/352 × 240); 640 × 480 (VGA)
Motion detection	OFF/ON (4 areas, rectangular)
Privacy Mask	4 areas

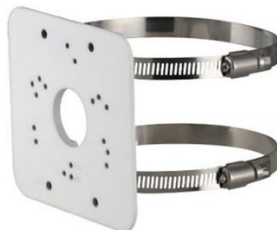
Feature	Specification
Day/Night	Auto (ICR)/Color/B/W
ROI	Yes (4 areas)
Audio Compression	G.711a; G.711Mu; G.726; G.723
Audio	Built-in Mic
Audio Input	2 channels (RCA port)
Audio Output	1 channel (RCA port)
Alarm Input	2 channels in: 5mA 3V–5V DC
Alarm Output	2 channels out: 1,000mA 30V DC/500mA 50V DC
Built-in Speaker	Yes
Bit Rate Control	CBR/VBR
Bit Rate	H.264: 3 kbps–17664 kbps H.265: 3 kbps–17664 kbps
SDK and API	Yes
Protocol	IPv4; IPv6; HTTP; HTTPS; TCP; UDP; ARP; RTP; RTSP; RTCP; RTMP; SMTP; FTP; SFTP; DHCP; DNS; DDNS; QoS; UPnP; NTP; Multicast; ICMP; IGMP; NFS; SAMBA; PPPoE; 802.1x; SNMP; Bonjour; ONVIF (Profile S/Profile G/Profile T); CGI; Milestone; Genetec; InstaOn; RTMP
IVS	Abandoned object; missing object
IVS (Perimeter Protection)	Tripwire, intrusion, fast moving (the three functions support the classification and accurate detection of vehicle and human), loitering detection, people gathering, parking detection
Face Detection	Face detection; track; optimization; snapshot; report high quality picture; face enhancement; face exposure; face attribute extract, 6 attributes and 5 expressions: Gender, age, glasses, expressions (anger, calm, happiness, sadness, surprise), mask, beard; face matting setting: face, single inch photo; three snapshot methods: real-time snapshot, optimization snapshot, quality priority; face angle filter; optimization time setting
People Counting	Support tripwire number counting; people counting in area, and displaying and outputting yearly/monthly/daily reports. Support queue management, and displaying and outputting yearly/monthly/daily reports. Support 4 tripwire rule configuration, people counting in 4 areas, and 4 queue managements.
Alarm Event	No SD card; SD card full; SD card error; network disconnection; IP conflict; illegal access; motion detection; video tampering; tripwire; intrusion; fast moving; abandoned object; missing object; loitering detection; people gathering; parking detection; scene changing; audio detection; voltage detection; external alarm; face detection; people counting in area; stay alarm; people counting; people counting exception detection; safety exception
Ethernet	RJ-45 (10/100Base-T)

Feature	Specification
RS-485	1 (baud rate range: 1200 bps–115200 bps)
Intelligent Search	Work together with Smart NVR to perform refine intelligent search, event extraction and merging to event videos.
Cyber Security	Video encryption; firmware encryption; configuration encryption; Digest; WSSE; account lock-out; security logs; IP/MAC filtering; generation and importing of X.509 certification; syslog; HTTPS; 802.1x; trusted boot; trusted execution; trusted upgrade
User/Host	20
Smart Phone	iPhone, iPad, Android Phone
IR Distance	IR Range of 30 Mtr., Smart IR
No. of IR LED	1
Micro SD	FTP; SFTP; Micro SD card (support max. 256 G); NAS
Browser	IE9; IE11; Firefox; Chrome
Operating Temperature	-40°C to +60°C/Less than 95% RH
Power Source	12V DC/PoE; ePoE
Power Consumption	Basic power consumption: 3.5W (12V DC); 4.4W (PoE)
Weatherproof Standard	IP67 & IK10
Dimension	204.0 mm × 78.0 mm × 61.5 mm (8.0" × 3.1" × 2.4") (L × W × H)
Casing	Metal
Weight	0.81 kg

Dimensions (mm/inch)



Accessories : Optional



CP-UA-B2P
Pole Mount